

DCG407

Slide Switch Small Angle Grinder

Meuleuse à petit angle avec interrupteur à glissière

Esmeriladora de ángulo pequeño de interruptor deslizable

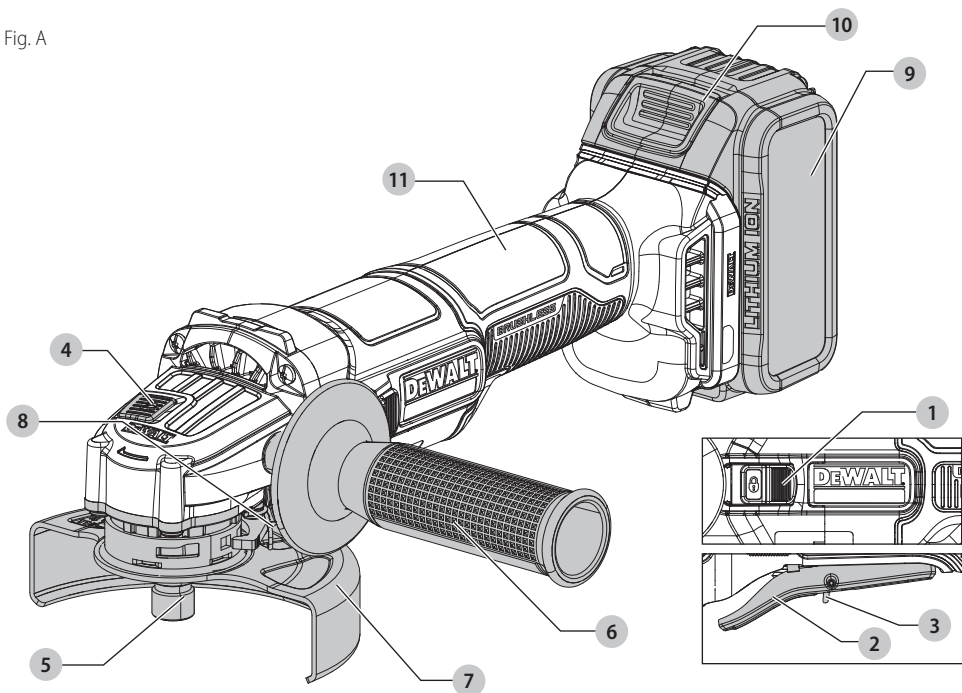
DCG408

Paddle Switch Small Angle Grinder

Meuleuse à petit angle avec interrupteur à palette

Esmeriladora de ángulo pequeño de interruptor de paleta

Fig. A



1 Slide switch (DCG407)

2 Paddle switch (DCG408)

3 Lock-off lever

4 Spindle lock button

5 Spindle

6 Auxiliary handle

7 Type B guard

8 Guard release lever

9 Battery pack

10 Battery release button

11 Main handle

1 Interrupteur à glissière (DCG407)

2 Interrupteur à palette (DCG408)

3 Levier de verrouillage

4 Bouton de verrouillage de la tige

5 Tige

6 Poignée auxiliaire

7 Protection de type B

8 Levier de libération de la protection

9 Bloc-piles

10 Bouton de libération du bloc-piles

11 Poignée principale

1 Interruptor deslizable (DCG407)

2 Interruptor de paleta (DCG408)

3 Palanca de bloqueo de apagado

4 Botón de bloqueo de husillo

5 Husillo

6 Manija auxiliar


7 Protección tipo B

8 Palanca de liberación de protección

9 Paquete de batería

10 Botón de liberación de batería


11 Manija principal


 **WARNING: Read all safety warnings, instructions, illustrations, and specifications in this manual, including the battery and charger sections provided in an original tool manual or the separate Batteries and Chargers manual.**


Manuals can be obtained by contacting Customer Service. Failure to follow the warnings and instructions may result in electric shock, fire and/or serious injury.

Definitions: Safety Alert Symbols and Words

This instruction manual uses the following safety alert symbols and words to alert you to hazardous situations and your risk of personal injury or property damage.

 **DANGER:** Indicates an imminently hazardous situation which, if not avoided, **will result in death or serious injury.**

 **WARNING:** Indicates a potentially hazardous situation which, if not avoided, **could result in death or serious injury.**

 **CAUTION:** Indicates a potentially hazardous situation which, if not avoided, **may result in minor or moderate injury.**


 (Used without word) Indicates a safety related message.


NOTICE: Indicates a practice not related to personal injury which, if not avoided, **may result in property damage.**


 **AVERTISSEMENT : lire tous les avertissements de sécurité, les instructions, les illustrations et les caractéristiques de ce manuel, y compris les sections sur les piles et les chargeurs fournies dans un manuel d'origine de l'outil ou dans le manuel séparé sur les piles et les chargeurs.** Les manuels peuvent être obtenus en contactant le service à la clientèle. Le fait de ne pas suivre les avertissements et les instructions peut entraîner un choc électrique, un incendie et/ou des blessures graves.

Définitions : symboles et termes d'alarmes sécurité

Ces guides d'utilisation utilisent les symboles et termes d'alarmes sécurité suivants pour vous prévenir de situations dangereuses et de risques de dommages corporels ou matériels.

 **DANGER :** indique une situation dangereuse imminente qui, si elle n'est pas évitée, **entraînera la mort ou des blessures graves.**

 **AVERTISSEMENT :** indique une situation potentiellement dangereuse qui, si elle n'est pas évitée, **pourrait entraîner la mort ou des blessures graves.**

 **ATTENTION :** indique une situation potentiellement dangereuse qui, si elle n'est pas évitée, **pourrait entraîner des blessures légères ou modérées.**


 (Si utilisé sans aucun terme) Indique un message propre à la sécurité.


AVIS : indique une pratique ne posant **aucun risque de dommages corporels** mais qui par contre, si rien n'est fait pour l'éviter, **pourrait poser des risques de dommages matériels.**


 **ADVERTENCIA: Lea todas las advertencias de seguridad, instrucciones, ilustraciones y especificaciones de este manual, incluyendo las secciones sobre la batería y el cargador proporcionadas en un manual original de la herramienta o en el manual de Baterías y Cargadores por separado.** Los manuales se pueden obtener poniéndose en contacto con el Servicio de atención al cliente. La falla en seguir las advertencias e instrucciones puede resultar en descarga eléctrica, incendio y/o lesiones serias.

Definiciones: Símbolos y Palabras de Alerta de Seguridad

Este manual de instrucciones utiliza los siguientes símbolos y palabras de alerta de seguridad para alertarle de situaciones peligrosas y del riesgo de lesiones corporales o daños materiales.

 **PELIGRO:** Indica una situación de peligro inminente que, si no se evita, **provocará la muerte o lesiones graves.**

 **ADVERTENCIA:** Indica una situación de peligro potencial que, si no se evita, **podría provocar la muerte o lesiones graves.**

 **ATENCIÓN:** Indica una situación de peligro potencial que, si no se evita, **posiblemente provocaría lesiones leves o moderadas.**

 (Utilizado sin palabras) Indica un mensaje de seguridad relacionado.

AVISO: Se refiere a una práctica **no relacionada a lesiones corporales** que de no evitarse **puede resultar en daños a la propiedad.**

English (original instructions)

3

Français (traduction de la notice d'instructions originale)

13

Español (traducido de las instrucciones originales)

25

Fig. B

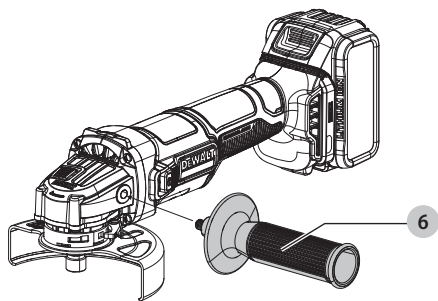


Fig. C1

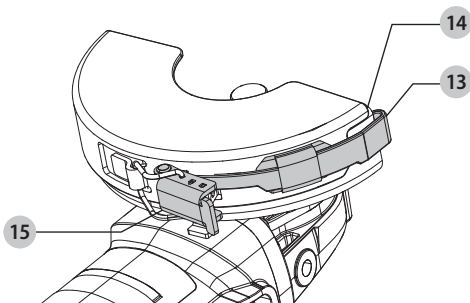


Fig. C2

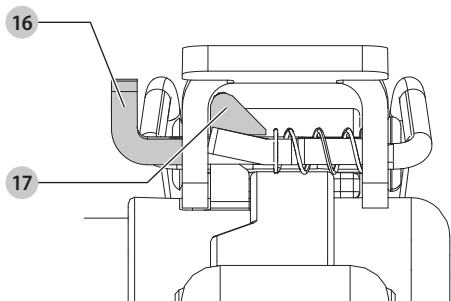


Fig. D

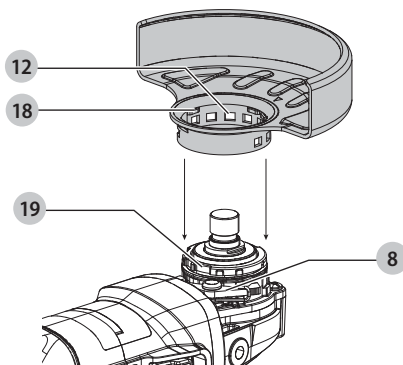


Fig. E

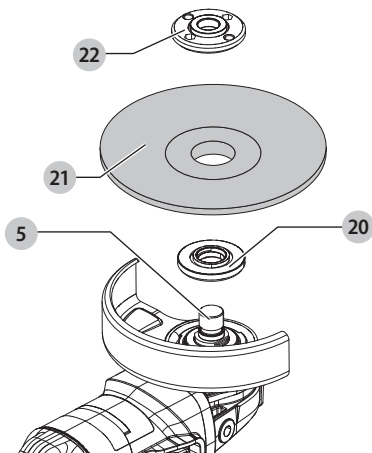


Fig. F

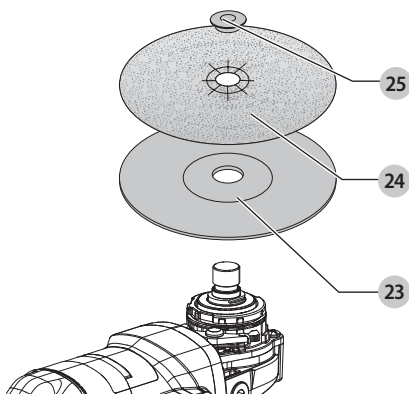


Fig. G

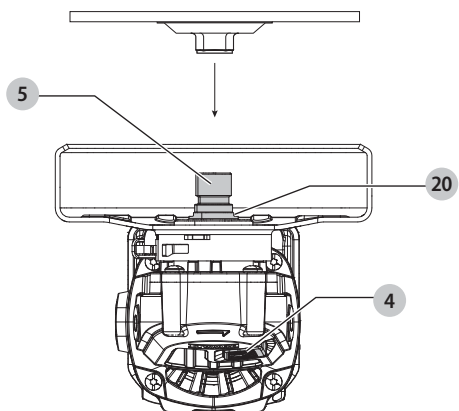


Fig. H

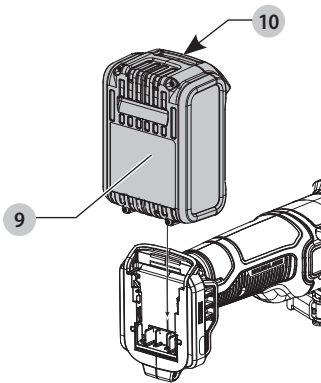


Fig. I

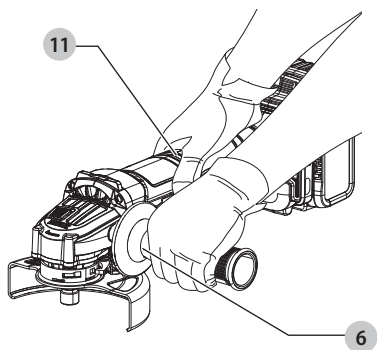


Fig. J

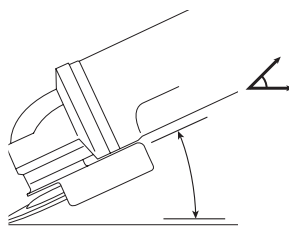
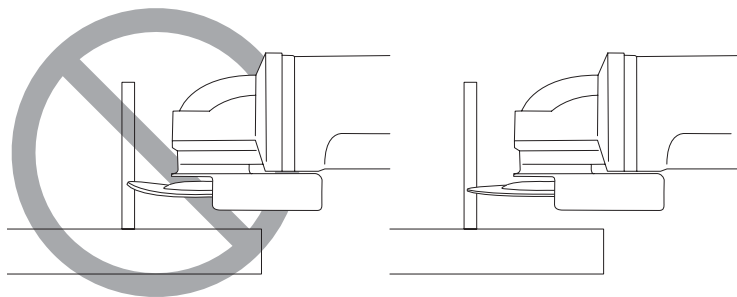


Fig. K



Intended Use

This heavy-duty small angle grinder has been designed for professional grinding, sanding, wire brush, and cut-off applications at various work sites (i.e., construction sites).

DO NOT use under wet conditions or in presence of flammable liquids or gases.

▲ DANGER: Do not use for wood cutting or woodcarving. Do not use toothed blades of any kind. Serious injury can result. This heavy-duty, small angle grinder is a professional power tool. **DO NOT** let children come into contact with the tool. Supervision is required when inexperienced operators use this tool.

GENERAL POWER TOOL SAFETY WARNINGS

▲ WARNING: Read all safety warnings, instructions, illustrations and specifications provided with this power tool. Failure to follow all instructions listed below may result in electric shock, fire and/or serious injury.

SAVE ALL WARNINGS AND INSTRUCTIONS FOR FUTURE REFERENCE.

The term "power tool" in the warnings refers to your mains-operated (corded) power tool or battery-operated (cordless) power tool.

1) Work Area Safety

- a) **Keep work area clean and well lit.** Cluttered or dark areas invite accidents.
- b) **Do not operate power tools in explosive atmospheres, such as in the presence of flammable liquids, gases or dust.** Power tools create sparks which may ignite the dust or fumes.
- c) **Keep children and bystanders away while operating a power tool.** Distractions can cause you to lose control.

2) Electrical Safety

- a) **Power tool plugs must match the outlet. Never modify the plug in any way. Do not use any adapter plugs with earthed (grounded) power tools.** Unmodified plugs and matching outlets will reduce risk of electric shock.
- b) **Avoid body contact with earthed or grounded surfaces, such as pipes, radiators, ranges and refrigerators.** There is an increased risk of electric shock if your body is earthed or grounded.
- c) **Do not expose power tools to rain or wet conditions.** Water entering a power tool will increase the risk of electric shock.
- d) **Do not abuse the cord. Never use the cord for carrying, pulling or unplugging the power tool. Keep cord away from heat, oil, sharp edges or moving parts.** Damaged or entangled cords increase the risk of electric shock.
- e) **When operating a power tool outdoors, use an extension cord suitable for outdoor use.** Use of a cord suitable for outdoor use reduces the risk of electric shock.
- f) **If operating a power tool in a damp location is unavoidable, use a ground fault circuit interrupter (GFCI) protected supply.** Use of a GFCI reduces the risk of electric shock.

3) Personal Safety

- a) **Stay alert, watch what you are doing and use common sense when operating a power tool. Do not use a power tool while you are tired or under the influence of drugs, alcohol or medication.** A moment of inattention while operating power tools may result in serious personal injury.

b) **Use personal protective equipment. Always wear eye protection.** Protective equipment such as a dust mask, non-skid safety shoes, hard hat, or hearing protection used for appropriate conditions will reduce personal injuries.

c) **Prevent unintentional starting. Ensure the switch is in the off position before connecting to power source and/or battery pack, picking up or carrying the tool.** Carrying power tools with your finger on the switch or energizing power tools that have the switch on invites accidents.

d) **Remove any adjusting key or wrench before turning the power tool on.** A wrench or a key left attached to a rotating part of the power tool may result in personal injury.

e) **Do not overreach. Keep proper footing and balance at all times.** This enables better control of the power tool in unexpected situations.

f) **Dress properly. Do not wear loose clothing or jewelry. Keep your hair and clothing away from moving parts.** Loose clothes, jewelry or long hair can be caught in moving parts.

g) **If devices are provided for the connection of dust extraction and collection facilities, ensure these are connected and properly used.** Use of dust collection can reduce dust-related hazards.

h) **Do not let familiarity gained from frequent use of tools allow you to become complacent and ignore tool safety principles.** A careless action can cause severe injury within a fraction of a second.

4) Power Tool Use and Care

- a) **Do not force the power tool. Use the correct power tool for your application.** The correct power tool will do the job better and safer at the rate for which it was designed.
- b) **Do not use the power tool if the switch does not turn it on and off.** Any power tool that cannot be controlled with the switch is dangerous and must be repaired.
- c) **Disconnect the plug from the power source and/or remove the battery pack, if detachable, from the power tool before making any adjustments, changing accessories, or storing power tools.** Such preventive safety measures reduce the risk of starting the power tool accidentally.
- d) **Store idle power tools out of the reach of children and do not allow persons unfamiliar with the power tool or these instructions to operate the power tool.** Power tools are dangerous in the hands of untrained users.
- e) **Maintain power tools and accessories. Check for misalignment or binding of moving parts, breakage of parts and any other condition that may affect the power tool's operation. If damaged, have the power tool repaired before use.** Many accidents are caused by poorly maintained power tools.
- f) **Keep cutting tools sharp and clean.** Properly maintained cutting tools with sharp cutting edges are less likely to bind and are easier to control.
- g) **Use the power tool, accessories and tool bits, etc. in accordance with these instructions, taking into account the working conditions and the work to be performed.** Use of the power tool for operations different from those intended could result in a hazardous situation.
- h) **Keep handles and grasping surfaces dry, clean and free from oil and grease.** Slippery handles and grasping

surfaces do not allow for safe handling and control of the tool in unexpected situations.

5) Battery Tool Use and Care

- a) **Recharge only with the charger specified by the manufacturer.** A charger that is suitable for one type of battery pack may create a risk of fire when used with another battery pack.
- b) **Use power tools only with specifically designated battery packs.** Use of any other battery packs may create a risk of injury and fire.
- c) **When battery pack is not in use, keep it away from other metal objects, like paper clips, coins, keys, nails, screws or other small metal objects, that can make a connection from one terminal to another.** Shorting the battery terminals together may cause burns or a fire.
- d) **Under abusive conditions, liquid may be ejected from the battery; avoid contact. If contact accidentally occurs, flush with water. If liquid contacts eyes, additionally seek medical help.** Liquid ejected from the battery may cause irritation or burns.
- e) **Do not use a battery pack or tool that is damaged or modified.** Damaged or modified batteries may exhibit unpredictable behavior resulting in fire, explosion or risk of injury.
- f) **Do not expose a battery pack or tool to fire or excessive temperature.** Exposure to fire or temperature above 265 °F (130 °C) may cause explosion.
- g) **Follow all charging instructions and do not charge the battery pack or tool outside the temperature range specified in the instructions.** Charging improperly or at temperatures outside the specified range may damage the battery and increase the risk of fire.

6) Service

- a) **Have your power tool serviced by a qualified repair person using only identical replacement parts.** This will ensure that the safety of the power tool is maintained.
- b) **Never service damaged battery packs.** Service of battery packs should only be performed by the manufacturer or authorized service providers.

SAFETY INSTRUCTIONS FOR ALL OPERATIONS

Safety Warnings Common for Grinding, Sanding, Wire Brushing, or Cutting-Off Operations

- a) **This power tool is intended to function as a grinder, sander, wire brush, or cut-off tool. Read all safety warnings, instructions, illustrations and specifications provided with this power tool.** Failure to follow all instructions listed below may result in electric shock, fire and/or serious injury.
- b) **Operations such as polishing or hole cutting are not to be performed with this power tool.** Operations for which the power tool was not designed may create a hazard and cause personal injury.
- c) **Do not convert this power tool to operate in a way which is not specifically designed and specified by the tool manufacturer.** Such a conversion may result in a loss of control and cause serious personal injury.
- d) **Do not use accessories which are not specifically designed and specified by the tool manufacturer.** Just because the accessory can be attached to your power tool, it does not assure safe operation.
- e) **The rated speed of the accessory must be at least equal to the maximum speed marked on the power tool.**

Accessories running faster than their rated speed can break and fly apart.

- f) **The outside diameter and the thickness of your accessory must be within the capacity rating of your power tool.** Incorrectly sized accessories cannot be adequately guarded or controlled.
- g) **The dimensions of the accessory mounting must fit the dimensions of the mounting hardware of the power tool.** Accessories that do not match the mounting hardware of the power tool will run out of balance, vibrate excessively and may cause loss of control.
- h) **Do not use a damaged accessory. Before each use inspect the accessory such as abrasive wheels for chips and cracks, backing pad for cracks, tear or excess wear, wire brush for loose or cracked wires. If power tool or accessory is dropped, inspect for damage or install an undamaged accessory. After inspecting and installing an accessory, position yourself and bystanders away from the plane of the rotating accessory and run the power tool at maximum no-load speed for one minute.** Damaged accessories will normally break apart during this test time.
- i) **Wear personal protective equipment. Depending on application, use face shield, safety goggles or safety glasses. As appropriate, wear dust mask, hearing protectors, gloves and workshop apron capable of stopping small abrasive or workpiece fragments.** The eye protection must be capable of stopping flying debris generated by various applications. The dust mask or respirator must be capable of filtering particles generated by the particular application. Prolonged exposure to high intensity noise may cause hearing loss.
- j) **Keep bystanders a safe distance away from work area. Anyone entering the work area must wear personal protective equipment.** Fragments of workpiece or of a broken accessory may fly away and cause injury beyond immediate area of operation.
- k) **Hold the power tool by insulated gripping surfaces only, when performing an operation where the cutting accessory may contact hidden wiring.** Cutting accessory contacting a "live" wire may make exposed metal parts of the power tool "live" and could give the operator an electric shock.
- l) **Never lay the power tool down until the accessory has come to a complete stop.** The spinning accessory may grab the surface and pull the power tool out of your control.
- m) **Do not run the power tool while carrying it at your side.** Accidental contact with the spinning accessory could snag your clothing, pulling the accessory into your body.
- n) **Regularly clean the power tool's air vents.** The motor's fan will draw the dust inside the housing and excessive accumulation of powdered metal may cause electrical hazards.
- o) **Do not operate the power tool near flammable materials.** Sparks could ignite these materials.
- p) **Do not use accessories that require liquid coolants.** Using water or other liquid coolants may result in electrocution or shock.

Kickback and Related Warnings

Kickback is a sudden reaction to a pinched or snagged rotating wheel, backing pad, brush or any other accessory. Pinching or snagging causes rapid stalling of the rotating accessory which in turn causes the uncontrolled power tool

to be forced in the direction opposite of the accessory's rotation at the point of the binding.

For example, if an abrasive wheel is snagged or pinched by the workpiece, the edge of the wheel that is entering into the pinch point can dig into the surface of the material causing the wheel to climb out or kick out. The wheel may either jump toward or away from the operator, depending on direction of the wheel's movement at the point of pinching. Abrasive wheels may also break under these conditions.

Kickback is the result of power tool misuse and/or incorrect operating procedures or conditions and can be avoided by taking proper precautions as given below.

- a) **Maintain a firm grip with both hands on the power tool and position your body and arms to allow you to resist kickback forces. Always use auxiliary handle, if provided, for maximum control over kickback or torque reaction during start-up.** The operator can control torque reactions or kickback forces, if proper precautions are taken.
- b) **Never place your hand near the rotating accessory.** Accessory may kickback over your hand.
- c) **Do not position your body in the area where power tool will move if kickback occurs.** Kickback will propel the tool in direction opposite to the wheel's movement at the point of snagging.
- d) **Use special care when working corners, sharp edges, etc. Avoid bouncing and snagging the accessory.** Corners, sharp edges or bouncing have a tendency to snag the rotating accessory and cause loss of control or kickback.
- e) **Do not attach a saw chain woodcarving blade, segmented diamond wheel with a peripheral gap greater than 10 mm or toothed saw blade.** Such blades create frequent kickback and loss of control.

Safety Warnings Specific for Grinding and Cutting-Off Operations

- a) **Use only wheel types that are specified for your power tool and the specific guard designed for the selected wheel.** Wheels for which the power tool was not designed cannot be adequately guarded and are unsafe.
- b) **The grinding surface of center depressed wheels must be mounted below the plane of the guard lip.** An improperly mounted wheel that projects through the plane of the guard lip cannot be adequately protected.
- c) **The guard must be securely attached to the power tool and positioned for maximum safety, so the least amount of wheel is exposed towards the operator.** The guard helps to protect the operator from broken wheel fragments, accidental contact with wheel and sparks that could ignite clothing.
- d) **Wheels must be used only for specified applications. For example: do not grind with the side of cut-off wheel.** Abrasive cut-off wheels are intended for peripheral grinding, side forces applied to these wheels may cause them to shatter.
- e) **Always use undamaged wheel flanges that are of correct size and shape for your selected wheel.** Proper wheel flanges support the wheel thus reducing the possibility of wheel breakage. Flanges for cut-off wheels may be different from grinding wheel flanges.
- f) **Do not use worn down wheels from larger power tools.** A wheel intended for larger power tool is not suitable for the higher speed of a smaller tool and may burst.
- g) **When using dual purpose wheels always use the correct guard for the application being performed.** Failure

to use the correct guard may not provide the desired level of guarding, which could lead to serious injury.

Additional Safety Warnings Specific for Cutting-Off Operations

- a) **Do not "jam" the cut-off wheel or apply excessive pressure. Do not attempt to make an excessive depth of cut.** Overstressing the wheel increases the loading and susceptibility to twisting or binding of the wheel in the cut and the possibility of kickback or wheel breakage.
- b) **Do not position your body in line with and behind the rotating wheel.** When the wheel, at the point of operation, is moving away from your body, the possible kickback may propel the spinning wheel and the power tool directly at you.
- c) **When the wheel is binding or when interrupting a cut for any reason, switch off the power tool and hold it motionless until the wheel comes to a complete stop. Never attempt to remove the cut-off wheel from the cut while the wheel is in motion otherwise kickback may occur.** Investigate and take corrective action to eliminate the cause of wheel binding.
- d) **Do not restart the cutting operation in the workpiece. Let the wheel reach full speed and carefully re-enter the cut.** The wheel may bind, walk up or kickback if the power tool is restarted in the workpiece.
- e) **Support panels or any oversized workpiece to minimize the risk of wheel pinching and kickback.** Large workpieces tend to sag under their own weight. Supports must be placed under the workpiece near the line of cut and near the edge of the workpiece on both sides of the wheel.
- f) **Use extra caution when making a "pocket cut" into existing walls or other blind areas.** The protruding wheel may cut gas or water pipes, electrical wiring or objects that can cause kickback.
- g) **Do not attempt to do curved cutting.** Overstressing the wheel increases the loading and susceptibility to twisting or binding of the wheel in the cut and the possibility of kickback or wheel breakage, which can lead to serious injury.

Safety Warnings Specific for Sanding Operations

- a) **Use proper sized sanding disc paper. Follow manufacturer's recommendations, when selecting sanding paper.** Larger sanding paper extending too far beyond the sanding pad presents a laceration hazard and may cause snagging, tearing of the disc or kickback.

Safety Warnings Specific for Wire Brushing Operations

- a) **Be aware that wire bristles are thrown by the brush even during ordinary operation. Do not overstress the wires by applying excessive load to the brush.** The wire bristles can easily penetrate light clothing and/or skin.
- b) **If the use of a guard is specified for wire brushing, do not allow any interference of the wire wheel or brush with the guard.** Wire wheel or brush may expand in diameter due to work load and centrifugal forces.

Additional Safety Information

- ▲ **WARNING:** Never modify the power tool or any part of it. Damage or personal injury could result.
- ▲ **WARNING:** ALWAYS use safety glasses. Everyday eyeglasses are NOT safety glasses. Also use face or dust

mask if cutting operation is dusty. ALWAYS WEAR CERTIFIED SAFETY EQUIPMENT:

- ANSI Z87.1 eye protection (CAN/CSA Z94.3),
- ANSI S12.6 (S3.19) hearing protection,
- NIOSH/OSHA/MSHA respiratory protection.

▲ WARNING: Some dust created by power sanding, sawing, grinding, drilling, and other construction activities contains chemicals known to the State of California to cause cancer, birth defects or other reproductive harm. Some examples of these chemicals are:

- lead from lead-based paints,
- crystalline silica from bricks and cement and other masonry products, and
- arsenic and chromium from chemically-treated lumber.

Your risk from these exposures varies, depending on how often you do this type of work. To reduce your exposure to these chemicals: work in a well ventilated area, and work with approved safety equipment, such as those dust masks that are specially designed to filter out microscopic particles.

▲ WARNING: Use of this tool can generate and/or disperse dust, which may cause serious and permanent respiratory or other injury. Always use NIOSH/OSHA approved respiratory protection appropriate for the dust exposure. Direct particles away from face and body.

▲ WARNING: Always wear proper personal hearing protection that conforms to ANSI S12.6 (S3.19) during use. Under some conditions and duration of use, noise from this product may contribute to hearing loss.

• **Wear protective clothing and wash exposed areas with soap and water.** Allowing dust to get into your mouth, eyes, or lay on the skin may promote absorption of harmful chemicals. Direct particles away from face and body.

• **Use the appropriate dust extractor vacuum to remove the vast majority of static and airborne dust.** Failure to remove static and airborne dust could contaminate the working environment or pose an increased health risk to the operator and those in close proximity.

• **Use clamps or other practical ways to secure and support the workpiece to a stable platform.** Holding the work by hand or against your body is unstable and may lead to loss of control and injury.

• **Always use auxiliary handle.** Tighten the handle securely. The auxiliary handle should always be used to maintain control of the tool at all times.

• **To prevent the spindle end from contacting the bottom of the hole of the hubbed wheel, use accessories that have a threaded hole depth of at least 21 mm.** Failure to use an accessory with the appropriate thread depth could result in damage to the hubbed wheel and injury to the operator or persons in the area.

• **The arbor size of hubbed wheels, flanges, backing pads or any other accessory must properly fit the spindle of the power tool.** Accessories with arbor holes that do not match the mounting hardware of the power tool will run out of balance, vibrate excessively and may cause loss of control.

• **Avoid bouncing the wheel or giving it rough treatment.** If this occurs, stop the tool and inspect the wheel for cracks or flaws.

• Always handle and store wheels in a careful manner.

• **Do not operate this tool for long periods of time.**

Vibration caused by the operating action of this tool may cause

permanent injury to fingers, hands, and arms. Use gloves to provide extra cushion, take frequent rest periods, and limit daily time of use.

• **Safety goggles or safety glasses with side shields and a full face shield compliant with ANSI Z87.1 MUST be worn by the operator and others that are within 50' (15.2 m) of the use of this product.**

• **Air vents often cover moving parts and should be avoided.** Loose clothes, jewelry or long hair can be caught in moving parts.

a) **Threaded mounting of accessories must match the grinder spindle thread. For accessories mounted by flanges, the arbor hole of the accessory must fit the locating diameter of the flange.** Accessories that do not match the mounting hardware of the power tool will run out of balance, vibrate excessively and may cause loss of control.














• **Do not use Type 11 (flaring cup) wheels on this tool.** Using inappropriate accessories can result in injury.

• **When starting the tool with a new or replacement wheel, or a new or replacement wire brush installed, hold the tool in a well protected area and let it run for one minute.** If the wheel has an undetected crack or flaw, it should burst in less than one minute. If the wire brush has loose wires, they will be detected. Never start the tool with a person in line with the wheel. This includes the operator.

• **Use of accessories not specified in this manual is not recommended and may be hazardous.** Use of power boosters that would cause the tool to be driven at speeds greater than its rated speed constitutes misuse.

▲ CAUTION: When not in use, place tool on its side on a stable surface where it will not cause a tripping or falling hazard. Some tools with large battery packs will stand upright on the battery pack but may be easily knocked over.

The label on your tool may include the following symbols. The symbols and their definitions are as follows:

V	volts		Class II Construction (double insulated)
Hz	hertz	n ₀	no load speed
min	minutes	n	rated speed
— or DC	direct current	PSI	pounds per square inch
	Class I Construction (grounded)		earthing terminal
.../min	per minute		safety alert symbol
BPM	beats per minute		visible radiation—do not stare into the light
IPM	impacts per minute		wear respiratory protection
OPM	oscillations per minute		wear eye protection
RPM	revolutions per minute		wear hearing protection
sfpm	surface feet per minute		read all documentation
SPM	strokes per minute		do not expose to rain
A	amperes		always operate with two hands
W	watts		do not use guard for cut-off operations
Wh	watt hours		Coin cell battery
Ah	amp hours		
~ or AC	alternating current		
⎓ or AC/DC	alternating or direct current		

Features

E-Switch Protection™

The ON/OFF switches have a no-volt release function. In the event of an unexpected shutdown or when a battery is inserted, the switches will need to be released and the start-up sequence must be performed to restart tool.

E-Clutch™

This unit is equipped with an E-Clutch™ (Electronic Clutch), which in the event of a high-load event, the unit will be shut off to reduce the reaction torque to the user. The switch needs to be cycled (turned on and off) to restart tool.

Kickback Brake™

When a pinch, stall, or bind-up event is sensed, the electronic brake engages with maximum force to quickly stop the wheel, reduce the movement of the grinder, and shut the grinder off. The switch needs to be cycled (turned on and off) to restart the tool.

Power-Off™ Overload Protection

The power supply to the motor will be reduced in case of motor overload. With continued motor overload, the tool will shut off. The switch needs to be cycled (turned on and off) to restart tool. The tool will power off each time the current load reaches the overload current value (motor burn-up point). If continued overload shutdowns occur, apply less force/weight on the tool until the tool will function without the overload engaging.

Electronic Soft Start

This feature limits the initial start-up speed, allowing the tool to build up to full speed gradually over a 1 second period.

ASSEMBLY AND ADJUSTMENTS

▲ WARNING: To reduce the risk of serious personal injury, turn unit off and remove the battery pack before making any adjustments or removing/installing attachments or accessories. An accidental start-up can cause injury.

Attaching Side Handle (Fig. B)

▲ WARNING: This handle SHOULD BE USED AT ALL TIMES to maintain complete control of the tool. Always make sure the handle is tight.

Screw the side handle **6** tightly into one of the holes on either side of the gear case. The side handle should always be used to maintain control of the tool at all times.

Mounting the Clip-on Guard (Fig. A, C1, C2)

The clip-on guard converts a Type B guard into a Type A guard.

- Place the clip-on guard onto the Type B guard so the hook **13** on the end of the clip-on guard aligns with the edge **14** of the Type B guard.
- Press down on the clip-on guard lever **15** until the lock button **16** engages with the locking hook **17**. The clip-on guard is now locked in place.
- To remove the clip-on guard, press the lock button **16** toward the clip-on guard lever and the clip-on lever will release. The clip-on lever can now be lifted, and the clip-on guard can be removed from the Type B guard.

Guards

▲ CAUTION: Guards must be used with all grinding wheels, cutting wheels, sanding flap discs, wire brushes, and wire wheels. The tool may be used without a guard only when sanding with conventional sanding discs. Refer to the **Accessories Chart** to see guards provided with the unit. Some applications may require purchasing the correct guard from your local dealer or authorized service center.

NOTE: Edge grinding and cutting can be performed with Type 27 wheels designed and specified for this purpose; 1/4" (6.35 mm) thick wheels are designed for surface grinding while thinner Type 27 wheels need to be examined for the manufacturer's label to see if they can be used for surface grinding or only edge grinding/cutting. A Type A/Type B with clip-on guard must be used for any wheel where surface grinding is forbidden. Cutting can also be performed by using a Type 1/41 wheel and a Type A/Type B with clip-on guard.

NOTE: Refer to the **Accessories Chart** to select the proper guard/accessory combination.

Mounting and Removing Guard (Fig. D)

Adjustment Options

For guard adjustment, the guard release lever **8** engages one of the alignment holes **12** on the guard collar using a ratcheting feature. Your grinder offers two options for this adjustment.

Mounting Guard

▲ CAUTION: Prior to mounting guard, ensure the screw, lever, and spring are fitted correctly before mounting the guard.

- With the spindle facing the operator, press and hold the guard release lever **8**.
- Align the lugs **19** on the guard with the slots **20** on the gear case.
- Push the guard down until the guard lugs engage and rotate them in the groove on the gear case hub. Release the guard release lever.
- To position the guard:

NOTE: The guard body should be positioned between the spindle and the operator to provide maximum operator protection. The guard release lever should snap into one of the alignment holes **12** on the guard collar. This ensures that the guard is secure.

- To remove the guard, follow steps 1–3 of these instructions in reverse.

Flanges and Wheels

▲ WARNING: To reduce the risk of serious personal injury, turn unit off and remove the battery pack before making any adjustments or removing/installing attachments or accessories. An accidental start-up can cause injury.

▲ WARNING: When using diamond segmented wheels, use only wheels with a negative rake angle and peripheral gap no greater than 10 mm.

Mounting Non-Hubbed Wheels (Fig. A, E)

▲ WARNING: Failure to properly seat the flanges and/or wheel could result in serious injury (or damage to the tool or wheel).

▲ CAUTION: Included flanges must be used with Type 27 depressed center grinding wheels, Type 27/42 depressed

center cutting wheels and Type 1/41 abrasive cutting wheels. Refer to the **DCG407, DCG408 Accessories and Guard Applications** for more information.

▲ WARNING: A closed, two-sided cutting wheel guard or Type B guard with Clip-on guard is required when using abrasive cutting wheels or diamond coated cutting wheels.

▲ WARNING: Use of a damaged flange or guard or failure to use proper flange and guard can result in injury due to wheel breakage and wheel contact. Refer to the **DCG407, DCG408 Accessories Chart** for more information.

Depressed center Type 27 grinding wheels must be used with included flanges.

1. Place the tool on a table, guard up.
2. Install the backing flange **20** on spindle **5** with the raised center (pilot) facing the wheel. Press the backing flange into place.
3. Place wheel **21** against the backing flange, centering the wheel on the raised center (pilot) of the backing flange.
4. While depressing the spindle lock button and with the hex depressions facing away from the wheel, thread the locking flange **22** on spindle.
5. While depressing the spindle lock button, tighten the locking flange **22** by hand or using the wrench supplied. (Only use a locking flange if it is in perfect condition.) Refer to the **DCG407, DCG408 Accessories Chart** to see flange details.
6. To remove the wheel, reverse the above procedure.

Mounting Sanding Backing Pads (Fig. A, F)

▲ WARNING: Use only backing pads that are rated for at least equal to the rated speed marked on the tool.

▲ WARNING: Failure to properly seat the clamp nut and/or pad could result in serious injury (or damage to the tool or wheel).

▲ WARNING: Proper guard must be reinstalled for grinding wheel, cutting wheel, sanding flap disc, wire brush or wire wheel applications after sanding applications are complete.

NOTE: Use of a guard with sanding discs that use backing pads, often called fiber resin discs, is not required. Since a guard is not required for these accessories, the guard may or may not fit correctly if used.

1. Place or appropriately thread backing pad **23** on the spindle.
2. Place the sanding disc **25** on the backing pad.
3. While depressing spindle lock button **4**, thread the sanding clamp nut **25** on spindle, piloting the raised hub on the clamp nut into the center of sanding disc and backing pad.
4. Tighten the clamp nut by hand. Then depress the spindle lock button while turning the sanding disc until the sanding disc and clamp nut are snug.
5. To remove the wheel, grasp and turn the backing pad and sanding pad while depressing the spindle lock button.

Mounting and Removing Hubbed Wheels (Fig. G)

Hubbed wheels install directly on the spindle. Thread of accessory must match thread of spindle.

1. Remove backing flange by pulling away from tool.
2. Thread the wheel on the spindle **5** by hand.
3. Depress the spindle lock button **4** and use a wrench to tighten the hub of the wheel.

4. Reverse the above procedure to remove the wheel.

NOTICE: Failure to properly seat the wheel before turning the tool on may result in damage to the tool or the wheel.

Wire Wheels (Fig. A, G)

▲ WARNING: Failure to properly seat the wheel could result in serious injury (or damage to the tool or wheel).

▲ CAUTION: To reduce the risk of personal injury, wear work gloves when handling wire brushes and wheels. They can become sharp.

▲ CAUTION: To reduce the risk of damage to the tool, wheel or brush must not touch guard when mounted or while in use. Undetectable damage could occur to the accessory, causing wires to fragment from accessory wheel. Wire wheels install directly on the threaded spindle without the use of flanges. Use only wire wheels provided with a 5/8"-11 threaded hub. These accessories are available at extra cost from your local dealer or authorized service center.

1. Place the tool on a table, guard up.
2. Thread the wheel on the spindle **5** by hand.
3. Depress spindle lock button **4** and use a wrench on the hub of the wire wheel or brush to tighten the wheel.
4. To remove the wheel, reverse the above procedure.

NOTICE: To reduce the risk of damage to the tool, properly seat the wheel hub before turning the tool on.

Prior to Operation

- Install the guard and appropriate disc or wheel. Do not use excessively worn discs or wheels.
- Be sure the backing and threaded locking flange are mounted correctly. Follow the instructions given in the **DCG407, DCG408 Accessories Chart**.
- Make sure the disc or wheel rotates in the direction of the arrows on the accessory and the tool.
- Do not use a damaged accessory. Before each use inspect the accessory such as abrasive wheels for chips and cracks, backing pad for cracks, tear or excess wear, wire brush for loose or cracked wires. If power tool or accessory is dropped, inspect for damage or install an undamaged accessory. After inspecting and installing an accessory, position yourself and bystanders away from the plane of the rotating accessory and run the power tool at maximum no-load speed for one minute. Damaged accessories will normally break apart during this test time.

OPERATION

▲ WARNING: To reduce the risk of serious personal injury, turn unit off and remove the battery pack before making any adjustments or removing/installing attachments or accessories. An accidental start-up can cause injury.

Installing and Removing the Battery Pack (Fig. H)

▲ WARNING: Ensure the tool/appliance is in the off position before inserting the battery pack.

NOTE: For best results, make sure your battery pack is fully charged.

1. To install the battery pack **9** into the tool handle, align the battery pack with the rails inside the tool's handle and slide it into the handle until the battery pack is firmly seated in the tool and ensure that it does not disengage.

2. To remove the battery pack from the tool, press the battery pack release button **10** and firmly pull the battery pack out of the tool handle.

Proper Hand Position (Fig. I)

▲ WARNING: To reduce the risk of serious personal injury, **ALWAYS** use proper hand position as shown.

▲ WARNING: To reduce the risk of serious personal injury, **ALWAYS** hold securely in anticipation of a sudden reaction. Proper hand position requires one hand on the main handle **11** and the other hand on the auxiliary handle **6**, as shown in Fig. I.

Switches

▲ CAUTION: Hold the auxiliary handle and body of the tool firmly to maintain control of the tool at start-up and during use and until the wheel or accessory stops rotating. Make sure the wheel has come to a complete stop before laying the tool down.

NOTE: To reduce unexpected tool movement, do not switch the tool on or off while under load conditions. Allow the grinder to run up to full speed before touching the work surface. Lift the tool from the surface before turning the tool off. Allow the tool to stop rotating before putting it down.

Slide Switch (Fig. A)

DCG407

▲ WARNING: Before connecting the tool to a power supply, be sure the slider switch is in the off position. Ensure the slider switch is in the off position after any interruption in power supply to the tool, such as when changing batteries, the activation of a ground fault interrupter, throwing of a circuit breaker, accidental unplugging, or power failure. If the slider switch is locked on when the power is connected, the tool will start unexpectedly.

To start the tool, slide the ON/OFF slide switch **1** toward the front of the tool. To stop the tool, release the ON/OFF slide switch.

For continuous operation, slide the switch toward the front of the tool and press the forward part of the switch inward. To stop the tool while operating in continuous mode, press the rear part of the slide switch and release.

Paddle Switch (Fig. A)

DCG408

▲ WARNING: Before connecting the tool to a power supply, be sure the paddle switch is in the off position. Ensure the paddle switch is in the off position as described above after any interruption in power supply to the tool, such as when changing batteries, the activation of a ground fault interrupter, throwing of a circuit breaker, accidental unplugging, or power failure. If the paddle switch is locked on when the power is connected, the tool will start unexpectedly.

1. To turn the tool on, push the lock-off lever **3** toward the back of the tool, then depress the paddle switch **2**. The tool will run while the switch is depressed.
2. Turn the tool off by releasing the paddle switch.

Spindle Lock (Fig. A)

The spindle lock button **4** is provided to prevent the spindle from rotating when installing or removing wheels. Operate the spindle lock only when the tool is turned off, the battery is removed and the spindle has come to a complete stop.

NOTICE: To reduce the risk of damage to the tool, do not engage the spindle lock while the tool is operating. Damage to the tool will result and attached accessory may spin off, possibly resulting in injury.

To engage the lock, depress the spindle lock button and rotate the spindle until you are unable to rotate the spindle further.

Surface Grinding, Sanding and Wire Brushing (Fig. J)

▲ CAUTION: Always use the correct guard per the instructions in this manual.

To perform work on the surface of a workpiece:

1. Allow the tool to reach full speed before touching the tool to the work surface.
2. Apply minimum pressure to the work surface, allowing the tool to operate at high speed. Material removal rate is greatest when the tool operates at high speed.
3. Maintain an appropriate angle between the tool and work surface. Refer to the chart according to particular function.

Function	Angle \sphericalangle
Grinding	20°-30°
Sanding with Flap Disc	5°-10°
Sanding with Backing Pad	5°-15°
Wire Brushing	5°-10°

4. Maintain contact between the edge of the wheel and the work surface.

- If grinding, sanding with flap discs, or wire brushing, move the tool continuously in a forward and back motion to avoid creating gouges in the work surface.

- If sanding with a backing pad, move the tool constantly in a straight line to prevent burning and swirling of work surface.

NOTE: Allowing the tool to rest on the work surface without moving will damage the workpiece.

5. Remove the tool from work surface before turning tool off. Allow the tool to stop rotating before laying it down.

▲ CAUTION: Use extra care when working over an edge, as a sudden sharp movement of grinder may be experienced.

Precautions To Take When Working on a Painted Workpiece

1. Sanding or wire brushing of lead-based paint is NOT RECOMMENDED due to the difficulty of controlling the contaminated dust. The greatest danger of lead poisoning is to children and pregnant women.
2. Since it is difficult to identify whether or not a paint contains lead without a chemical analysis, we recommend the following precautions when sanding any paint:

Personal Safety

1. No children or pregnant women should enter the work area where the paint sanding or wire brushing is being done until all clean-up is completed.
2. A dust mask or respirator should be worn by all persons entering the work area. The filter should be replaced daily or whenever the wearer has difficulty breathing.

NOTE: Only those dust masks suitable for working with lead paint dust and fumes should be used. Ordinary painting masks do not offer this protection. Refer to your local hardware dealer for the proper N.I.O.S.H. approved mask.

3. NO EATING, DRINKING or SMOKING should be done in the work area to prevent ingesting contaminated paint particles. Workers should wash and clean up BEFORE eating, drinking or smoking. Articles of food, drink, or smoking should not be left in the work area where dust would settle on them.

Environmental Safety

1. Paint should be removed in such a manner as to minimize the amount of dust generated.
2. Areas where paint removal is occurring should be sealed with plastic sheeting of 4 mils thickness.
3. Sanding should be done in a manner to reduce tracking of paint dust outside the work area.

Cleaning and Disposal

1. All surfaces in the work area should be vacuumed and thoroughly cleaned daily for the duration of the sanding project. Vacuum filter bags should be changed frequently.
2. Plastic drop cloths should be gathered up and disposed of along with any dust chips or other removal debris. They should be placed in sealed refuse receptacles and disposed of through regular trash pick-up procedures. During clean-up, children and pregnant women should be kept away from the immediate work area.
3. All toys, washable furniture and utensils used by children should be washed thoroughly before being used again.

Edge Grinding and Cutting (Fig. K)

▲ WARNING: Do not use edge grinding/cutting wheels for surface grinding applications because these wheels are not designed for side pressures encountered with surface grinding. Wheel breakage and injury may result.

▲ CAUTION: Wheels used for edge grinding and cutting may break or kick back if they bend or twist while the tool is being used. In all edge grinding/cutting operations, the open side of the guard must be positioned away from the operator.

NOTICE: Edge grinding/cutting with a Type 27 wheel must be limited to shallow cutting and notching—less than 1/2" (13 mm) in depth when the wheel is new. Reduce the depth of cutting/notching equal to the reduction of the wheel radius as it wears down. Refer to the **Accessories Chart** for more information. Edge grinding/cutting with a Type 41 wheel requires usage of a Type 1/41 /Type A/Type B with Clip-on guard.

1. Allow the tool to reach full speed before touching the tool to the work surface.
2. Apply minimum pressure to the work surface, allowing the tool to operate at high speed. Grinding/cutting rate is greatest when the tool operates at high speed.
3. Position yourself so that the open-underside of the wheel is facing away from you.
4. Once a cut is begun and a notch is established in the workpiece, do not change the angle of the cut. Changing the angle will cause the wheel to bend and may cause wheel breakage. Edge grinding wheels are not designed to withstand side pressures caused by bending.
5. Remove the tool from the work surface before turning the tool off. Allow the tool to stop rotating before laying it down.

MAINTENANCE

▲ WARNING: To reduce the risk of serious personal injury, turn unit off and remove the battery pack before making any adjustments or removing/installing

attachments or accessories. An accidental start-up can cause injury.

Your DEWALT power tool has been designed to operate over a long period of time with a minimum of maintenance. Continuous satisfactory operation depends upon proper tool care and regular cleaning.

Cleaning

▲ WARNING: Blow dirt and dust out of all air vents with clean, dry air at least once a week. To minimize the risk of eye injury, always wear ANSI Z87.1 approved eye protection when performing this procedure.

▲ WARNING: Never use solvents or other harsh chemicals for cleaning the non-metallic parts of the tool. These chemicals may weaken the plastic materials used in these parts. Use a cloth dampened only with water and mild soap. Never let any liquid get inside the tool; never immerse any part of the tool into a liquid.

Accessories

▲ WARNING: Since accessories, other than those offered by DEWALT, have not been tested with this product, use of such accessories with this product could be hazardous. To reduce the risk of injury, only DEWALT recommended accessories should be used with this product.

▲ WARNING: Do not use a bonded abrasive wheel that is past its expiration (EXP) date as marked near center of wheel, if provided. Expired wheels are more likely to burst and cause serious injury. Store bonded abrasive wheels in dry location without temperature or humidity extremes. Destroy expired or damaged wheels so they cannot be used.

Recommended accessories for use with your product are available at extra cost from your local dealer or authorized service center. If you need assistance in locating any accessory, please contact DEWALT. Call 1-800-4-DEWALT (1-800-433-9258) or visit our website: www.dewalt.com.

The capacity of this tool is 4.5" (115 mm) diameter x 1/4" (6 mm) thick for grinding wheels and 1/8" (3 mm) thick for cutting wheels. It is important to choose the correct guards, backing pads and flanges to use with grinder accessories. Refer to the **Accessories Chart** for information on choosing the correct accessories.

▲ WARNING: Accessories must be rated for at least the speed recommended on the tool warning label. Wheels and other accessories running over their rated accessory speed may fly apart and cause injury. Threaded accessories must have a 5/8"-11 hub. Every unthreaded accessory must have a 7/8" (22 mm) arbor hole. If it does not, it may have been designed for a circular saw. Use only the accessories shown in the **Accessories Chart** of this manual. Accessory ratings must always be above tool speed as shown on tool nameplate.

▲ WARNING: Handle and store all abrasive wheels carefully to prevent damage from thermal shock, heat, mechanical damage, etc. Store in a dry protected area free from high humidity, freezing temperatures or extreme temperature changes.

Repairs

The charger and batteries are not serviceable. There are no serviceable parts inside the charger or battery pack.

▲ WARNING: To assure product SAFETY and RELIABILITY, repairs, maintenance and adjustment (including brush inspection and replacement, when applicable) should be

performed by a factory service center or an authorized service center. Always use identical replacement parts.

Register Online

Thank you for your purchase. Register your product now for:

- **WARRANTY SERVICE:** Registering your product will help you obtain more efficient warranty service in case there is a problem with your product.
- **CONFIRMATION OF OWNERSHIP:** In case of an insurance loss, such as fire, flood or theft, your registration of ownership will serve as your proof of purchase.
- **FOR YOUR SAFETY:** Registering your product will allow us to contact you in the unlikely event a safety notification is required under the Federal Consumer Safety Act.

Register online at www.dewalt.com/account-login.

Three-Year Limited Warranty

For warranty terms, go to






www.dewalt.com/support/warranty.


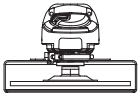

To request a written copy of the warranty terms, contact: Customer Service at DeWALT Industrial Tool Co., 701 East Joppa Road, Towson, MD 21286 or call **1-800-4-DeWALT (1-800-433-9258)**.


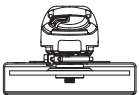



LATIN AMERICA: This warranty does not apply to products sold in Latin America. For products sold in Latin America, see country-specific warranty information contained in the packaging, call the local company or see website for warranty information.


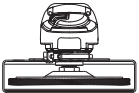

FREE WARNING LABEL REPLACEMENT: If your warning labels become illegible or are missing, call **1-800-4-DeWALT (1-800-433-9258)** for a free replacement.


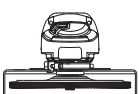



DCG407, DCG408 ACCESSORIES CHART


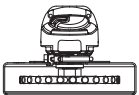

Approved wheels for use with DCG407, DCG408	
Type 1 / T1 Type 41 / T41	
Type 27 / T27	
Type 28 / T28†	
Type 29 / T29	
Non-approved wheels for DCG407, DCG408	
Type 11 / T11	

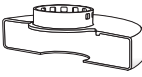
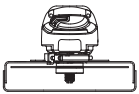
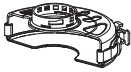



Type 27 Hubbed Grinding Wheels		
Type 27/Type B guard NA680164 (4.5")		
Type 27 hubbed wheel		

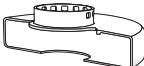
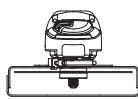




Type 27, 28 Depressed Center Grinding Wheels		
Type 27/Type B guard NA680164 (4.5")		
Backing Flange N115381		
Type 27, 28 depressed center wheel		
Locking flange N134467		





Hubbed Sanding Flap Discs		
Type 27/Type B guard NA680164 (4.5")		
Hubbed sanding flap disc		


Non-Hubbed Sanding Flap Discs		
Type 27/Type B guard NA680164 (4.5")		
Backing Flange N115381		
Non-Hubbed sanding flap disc		
Locking flange N134467		


Hubbed Wire Wheels		
Type 27/Type B guard NA680164 (4.5")		
Hubbed wire wheel		

Type 1/41 Cutting Wheels		
Type 1/41/Type A guard N487793**		
Type B guard with Clip-on guard		
Backing Flange N115381		
Type 1/41 abrasive cutting wheel		
Locking flange N134467		

Diamond Cutting Wheels		
Type 1/41/Type A guard N487793**		
Type B guard with Clip-on guard		
Backing Flange N115381		
Diamond cutting wheel		
Locking flange N134467		

Sanding Discs		
Rubber backing pad DABP4RR58**		
Sanding disc		
Sanding clamp nut (Included with rubber backing pad DABP4RR58**)		

Hubbed Wheel Wrench	
Hubbed wheel wrench N541784**	

Shrouds	
Concrete Cutting Shroud DWE46125 5***	

⚠ DANGER: Do not use for wood cutting or woodcarving. Do not use toothed blades of any kind. Serious injury can result.



⚠ Type 1/41/Type A guards or Type B guard with Clip-on guard are intended for use with Type 1/41 cutting wheels and Type 27 wheels marked for cutting only. Grinding with wheels other than Type 27 and Type 29 require different accessory guards. Always use the smallest proper guard possible that does not contact the accessory.

** **NOTE:** Available at extra cost from your local dealer or authorized service center.

† **NOTE:** Type 28 depressed center wheels only.

Utilisation prévue

Cette meuleuse petit angle très robuste est conçue pour des applications de meulage, sablage, de nettoyage, de broissage métallique et de coupe professionnelles sur divers sites de travail (p. ex. chantiers de construction).

NE PAS utiliser en conditions mouillées ou en présence de liquides ou de gaz inflammables.

▲ DANGER : ne pas utiliser pour couper ou sculpter du bois. N'utiliser aucune sorte de lame dentée. Des blessures graves pourraient être causées.

Cette meuleuse petit angle très robuste est un outil électrique professionnel. **NE PAS** laisser les enfants entrer en contact avec l'outil. Une supervision est requise lorsque des utilisateurs inexpérimentés utilisent cet outil.

AVERTISSEMENTS GÉNÉRAUX SUR LA SÉCURITÉ DES OUTILS

▲ AVERTISSEMENT : lisez tous les avertissements de sécurité, toutes les instructions, les illustrations et les caractéristiques fournis avec cet outil électrique. Ne pas suivre toutes les instructions comprises aux présentes peut conduire à un choc électrique, un incendie et/ou des blessures graves.

CONSERVER TOUS LES AVERTISSEMENTS ET TOUTES LES DIRECTIVES POUR UN USAGE ULTÉRIEUR.

Le terme « outil électrique » cité dans les avertissements se rapporte à votre outil électrique à alimentation sur secteur (avec fil) ou par piles (sans fil).

1) Sécurité du lieu de travail

a) **Tenir l'aire de travail propre et bien éclairée.** Les lieux encombrés ou sombres sont propices aux accidents.

b) **Ne pas faire fonctionner d'outils électriques dans un milieu déflamant, tel qu'en présence de liquides, de gaz ou de poussières inflammables.** Les outils électriques produisent des étincelles qui pourraient enflammer la poussière ou les vapeurs.

c) **Éloigner les enfants et les personnes à proximité pendant l'utilisation d'un outil électrique.** Une distraction pourrait en faire perdre la maîtrise à l'utilisateur.

2) Sécurité en matière d'électricité

a) **Les fiches des outils électriques doivent correspondre à la prise. Ne jamais modifier la fiche d'aucune façon. Ne jamais utiliser de fiche d'adaptation avec un outil électrique mis à la terre.** Le risque de choc électrique sera réduit par l'utilisation de fiches non modifiées correspondant à la prise.

b) **Éviter tout contact physique avec des surfaces mises à la terre comme des tuyaux, des radiateurs, des cuisinières et des réfrigérateurs.** Le risque de choc électrique est plus élevé si votre corps est mis à la terre.

c) **Ne pas exposer les outils électriques à la pluie ou à l'humidité.** La pénétration de l'eau dans un outil électrique augmente le risque de choc électrique.

d) **Ne pas utiliser le cordon de façon abusive. Ne jamais utiliser le cordon pour transporter, tirer ou débrancher un outil électrique. Tenir le cordon éloigné de la chaleur, de l'huile, des bords tranchants et des pièces mobiles.** Les

cordons endommagés ou enchevêtrés augmentent les risques de choc électrique.

e) **Pour l'utilisation d'un outil électrique à l'extérieur, se servir d'une rallonge convenant à cette application.** L'utilisation d'une rallonge conçue pour l'extérieur réduira les risques de choc électrique.

f) **S'il est impossible d'éviter l'utilisation d'un outil électrique dans un endroit humide, brancher l'outil dans une prise ou sur un circuit d'alimentation dotés d'un disjoncteur de fuite à la terre (GFCI).** L'utilisation de ce type de disjoncteur réduit les risques de choc électrique.

3) Sécurité personnelle

a) **Être vigilant, surveiller le travail effectué et faire preuve de jugement lorsqu'un outil électrique est utilisé. Ne pas utiliser d'outil électrique en cas de fatigue ou sous l'influence de drogues, d'alcool ou de médicaments.** Un simple moment d'inattention en utilisant un outil électrique peut entraîner des blessures corporelles graves.

b) **Utiliser des équipements de protection individuelle. Toujours porter une protection oculaire.** L'utilisation d'équipements de protection comme un masque antipoussière, des chaussures antidérapantes, un casque de sécurité ou des protecteurs auditifs lorsque la situation le requiert réduira les risques de blessures corporelles.

c) **Empêcher les démarrages intempestifs. S'assurer que l'interrupteur se trouve à la position d'arrêt avant de relier l'outil à une source d'alimentation et/ou d'insérer un bloc-piles, de ramasser ou de transporter l'outil.**

Transporter un outil électrique alors que le doigt repose sur l'interrupteur ou brancher un outil électrique dont l'interrupteur est à la position de marche risque de provoquer un accident.

d) **Retirer toute clé de réglage ou clé avant de démarrer l'outil.** Une clé ou une clé de réglage attachée à une partie pivotante de l'outil électrique peut provoquer des blessures corporelles.

e) **Ne pas trop tendre les bras. Conserver son équilibre en tout temps.** Cela permet de mieux maîtriser l'outil électrique dans les situations imprévues.

f) **S'habiller de manière appropriée. Ne pas porter de vêtements amples ni de bijoux. Garder les cheveux et les vêtements à l'écart des pièces mobiles.** Les vêtements amples, les bijoux ou les cheveux longs risquent de rester coincés dans les pièces mobiles.

g) **Si des composants sont fournis pour le raccordement de dispositifs de dépoussiérage et de ramassage, s'assurer que ceux-ci sont bien raccordés et utilisés.** L'utilisation d'un dispositif de dépoussiérage peut réduire les dangers engendrés par les poussières.

h) **Ne pas laisser votre connaissance acquise suite l'utilisation fréquente des outils vous permettre de baisser la garde et ignorer les principes de sécurité de l'outil.** Un acte irréfléchi peut causer une blessure grave en une fraction de seconde.

4) Utilisation et entretien d'un outil électrique

a) **Ne pas forcer un outil électrique. Utiliser l'outil électrique approprié à l'application.** L'outil électrique approprié effectuera un meilleur travail, de façon plus sûre et à la vitesse pour laquelle il a été conçu.

b) **Ne pas utiliser un outil électrique dont l'interrupteur est défectueux.** Tout outil électrique dont l'interrupteur est défectueux est dangereux et doit être réparé.

c) **Débranchez la fiche de la prise électrique et, si amovible, retirez le bloc-piles de l'outil avant d'effectuer tout ajustement, changement et entreposage de celui-ci.**

Ces mesures préventives réduisent les risques de démarrage accidentel de l'outil électrique.

d) **Ranger les outils électriques hors de la portée des enfants et ne permettre à aucune personne n'étant pas familière avec un outil électrique ou son mode d'emploi d'utiliser cet outil.** Les outils électriques deviennent dangereux entre les mains d'utilisateurs inexpérimentés.

e) **Gardez les poignées et surfaces d'emprise propres et libres de tout produit lubrifiant. Vérifier si les pièces mobiles sont mal alignées ou coincées, si des pièces sont brisées ou présentent toute autre condition susceptible de nuire au bon fonctionnement de l'outil électrique. En cas de dommage, faire réparer l'outil électrique avant toute nouvelle utilisation.** Beaucoup d'accidents sont causés par des outils électriques mal entretenus.

f) **S'assurer que les outils de coupe sont aiguisés et propres.** Les outils de coupe bien entretenus et affûtés sont moins susceptibles de se coincer et sont plus faciles à maîtriser.

g) **Utiliser l'outil électrique, les accessoires, les forets, etc. conformément aux présentes directives en tenant compte des conditions de travail et du travail à effectuer.**

L'utilisation d'un outil électrique pour toute opération autre que celle pour laquelle il a été conçu est dangereuse.

h) **Garder vos mains et les surfaces de prise sèches, propres et libres de graisse et de poussière.** Les mains et les surfaces de prise glissante ne permettent pas la manutention et le contrôle sécuritaires de l'outil dans les situations imprévues.

5) Utilisation et entretien du bloc-piles

a) **Ne recharger l'outil qu'au moyen du chargeur précisé par le fabricant.** L'utilisation d'un chargeur qui convient à un type de bloc-piles risque de provoquer un incendie s'il est utilisé avec un autre type de bloc-piles.

b) **Utiliser les outils électriques uniquement avec les blocs-piles conçus à cet effet.** L'utilisation de tout autre bloc-piles risque de causer des blessures ou un incendie.

c) **Lorsque le bloc-piles n'est pas utilisé, le tenir éloigné des objets métalliques, notamment des trombones, de la monnaie, des clés, des clous, des vis ou autres petits objets métalliques qui peuvent établir une connexion entre les deux bornes.** Le court-circuit des bornes du bloc-piles risque de provoquer des brûlures ou un incendie.

d) **En cas d'utilisation abusive, le liquide peut gicler hors du bloc-piles; éviter tout contact avec ce liquide. Si un contact accidentel se produit, laver à grande eau. Si le liquide entre en contact avec les yeux, obtenir également des soins médicaux.** Le liquide qui gicle hors du bloc-piles peut provoquer des irritations ou des brûlures.

e) **Ne pas utiliser de bloc-piles ou outil qui a été endommagé ou modifié.** Les unités endommagées ou modifiées peuvent avoir une réaction imprévisible résultant en un incendie, une explosion ou un potentiel de blessure.

f) **Ne pas exposer de bloc-piles ou l'outil aux flammes ou à des températures excessives.** L'exposition aux flammes ou

à une température au-dessus de 130 °C (265 °F) pourrait causer une explosion.

g) **Suivre toutes les instructions de recharge et ne rechargez pas le bloc-piles ou l'outil à des températures hors de la plage de température indiquée dans les instructions.** Une recharge non conforme ou à une température hors des limites spécifiées peut endommager les piles et augmenter le risque d'incendie.

6) Réparation

a) **Faire réparer l'outil électrique par un réparateur professionnel en n'utilisant que des pièces de recharge identiques.** Cela permettra de maintenir une utilisation sécuritaire de l'outil électriques.

b) **Ne jamais réparer des blocs-piles endommagés.** La réparation de blocs-piles doit seulement être effectuée par le fabricant ou les fournisseurs de service autorisés.

CONSIGNES DE SÉCURITÉ POUR TOUTES LES OPÉRATIONS

Avertissements de sécurité communs pour les opérations de meulage, de ponçage, de broissage métallique ou de coupe

a) **Cet outil électrique est conçu pour fonctionner comme une meuleuse, une sableuse, une brosse métallique ou un outil de coupe. Lisez tous les avertissements de sécurité, toutes les instructions, les illustrations et les caractéristiques fournis avec cet outil électrique.** Ne pas suivre toutes les instructions indiquées ci-dessous peut conduire à un choc électrique, un incendie et/ou des blessures graves.

b) **Les opérations comme le polissage ou le découpage de trous ne sont pas recommandées avec cet outil électrique.** Les opérations pour lesquelles l'outil n'a pas été conçu peuvent créer un danger et causer une blessure corporelle.

c) **Ne pas convertir cet outil électrique pour qu'il fonctionne d'une manière qui n'est pas spécifiquement conçue et spécifiée par le fabricant de l'outil.** Une telle conversion peut entraîner une perte de contrôle et causer des blessures graves.

d) **Ne pas utiliser des accessoires qui n'ont pas été spécifiquement conçus et recommandés par le fabricant de l'outil.** Le fait que l'accessoire peut être fixé à votre outil n'assure pas une utilisation sécuritaire.

e) **La vitesse nominale de l'accessoire doit être au moins égale à la vitesse maximale indiquée sur l'outil électrique.** Les accessoires qui fonctionnent plus rapidement que leur vitesse nominale peuvent se briser et voler en éclats.

f) **Le diamètre extérieur et l'épaisseur de votre accessoire doivent être conformes à la capacité nominale de votre outil.** Les accessoires mal dimensionnés ne peuvent pas être protégés ou contrôlés de manière adéquate.

g) **Les dimensions de la fixation de l'accessoire doivent correspondre aux dimensions du matériel de fixation de l'outil électrique.** Les accessoires qui ne correspondent pas au matériel de montage de l'outil électrique manqueront d'équilibre, vibreront de façon excessive ou peuvent entraîner une perte de contrôle.

h) **Ne pas utiliser un accessoire endommagé. Avant chaque utilisation, inspectez les accessoires comme les meules abrasives en termes de copeaux et de fissures, la plaque d'appui en termes de fissures, de déchirure**

ou d'usure excessive, la brosse métallique en termes de fils détachés ou cassés. Si vous échappez l'outil ou un accessoire, inspectez-le pour des dommages ou installez un accessoire non endommagé. Après avoir inspecté et installé un accessoire, placez-vous ainsi que les passants à distance de la zone de rotation de l'accessoire et faites fonctionner l'outil électrique à une vitesse à vide pendant une minute. Les accessoires endommagés se brisent normalement durant la durée du test.

i) **Portez un équipement de protection individuelle.** Selon l'application, utilisez un masque de protection ou des lunettes de sécurité. Selon les besoins, portez un masque anti-poussière, une protection auditive, des gants et un tablier d'atelier pouvant arrêter de petits fragments de la pièce de travail ou abrasifs. La protection des yeux doit être en mesure d'arrêter les débris volants générés par diverses applications. Le masque anti-poussière ou le respirateur doit être en mesure de filtrer les particules générées par l'application concernée. L'exposition prolongée à du bruit d'intensité élevée peut causer une perte auditive.

j) **Gardez les passants à une distance sécuritaire de l'aire de travail.** Toute personne entrant dans l'aire de travail doit porter un équipement de protection individuel.

Les fragments de la pièce à travailler ou d'un accessoire brisé peuvent s'envoler et peuvent causer une blessure au-delà de l'aire immédiate de l'opération.

k) **Tenez l'outil électrique uniquement par les surfaces de prise isolées lorsque vous effectuez une tâche où l'accessoire de coupe peut entrer en contact avec un câble dissimulé.** L'accessoire de coupe entrant en contact avec un câble « sous tension » peut mettre les pièces métalliques de l'outil électrique « sous tension » et causer un choc électrique à l'utilisateur.

l) **Ne jamais déposer l'outil électrique avant que l'accessoire soit complètement arrêté.** L'accessoire en rotation peut accrocher la surface et vous faire perdre le contrôle de votre outil électrique.

m) **Ne pas faire fonctionner l'outil électrique pendant que vous le transportez à vos côtés.** Un contact accidentel avec l'accessoire en rotation pourrait accrocher vos vêtements, tirant l'accessoire dans votre corps.

n) **Nettoyez régulièrement les événements de l'outil électrique.** Le ventilateur du moteur produit de la poussière à l'intérieur du boîtier et l'accumulation excessive de métal fritté peut causer des chocs électriques.

o) **Ne pas utiliser l'outil électrique près de matières inflammables.** Des étincelles pourraient enflammer ces matières.

p) **Ne pas utiliser des accessoires qui nécessitent des liquides réfrigérants.** Utiliser de l'eau ou d'autres liquides réfrigérants peut entraîner une électrocution ou un choc électrique.

Rebond et avertissements s'y rapportant

Les rebonds sont la conséquence du pincement ou du grippage d'un disque, d'un patin-support, d'une brosse ou de tout autre accessoire en rotation. Le pincement ou le grippage provoque le blocage rapide de l'accessoire en rotation entraînant alors l'outil électrique hors de contrôle dans la direction opposée au sens de rotation de l'accessoire au niveau du point de grippage.

Par exemple, si un disque abrasif reste grippé ou pincé dans l'ouvrage, le bord du disque engagé au niveau du point de grippage peut creuser la surface du matériau et provoquer

le soulèvement ou le rebond du disque. Le disque peut être projeté vers l'utilisateur ou à l'opposé, selon le sens du mouvement du disque au point de pincement. Dans ces conditions, il peut aussi arriver que les disques abrasifs se brisent.

Les rebonds sont le résultat d'une utilisation inappropriée de l'outil électrique et/ou de conditions ou de procédures d'exécution incorrectes et ils peuvent être évités en prenant les précautions adéquates énoncées ci-dessous.

a) **Maintenez fermement l'outil électrique à deux mains et placez votre corps et vos bras de manière à pouvoir résister à la force d'un rebond.** Veillez à toujours utiliser la poignée auxiliaire, si elle existe, afin de pouvoir maîtriser l'outil au mieux en cas de rebond ou de retour de couple au démarrage. L'utilisateur peut contrôler les retours de couple ou la force des rebonds si des précautions adéquates sont prises.

b) **Ne placez jamais votre main près de l'accessoire en rotation.** L'accessoire pourrait rebondir sur vos mains.

c) **Ne placez pas votre corps dans la zone où l'outil pourrait se déplacer en cas de rebond.** Un rebond propulse l'outil dans la direction opposée au mouvement du disque au niveau du point de grippage.

d) **Soyez particulièrement vigilant lors vous travaillez dans des coins, sur les arêtes, etc.** Évitez de faire tressauter ou de faire accrocher l'accessoire. Les angles, les arêtes ou les tressautements de l'outil ont tendance à retenir l'accessoire en rotation et à provoquer la perte de contrôle de l'outil ou des rebonds.

e) **N'installez pas de chaîne de scie, de la lame à sculpter, de disque diamant segmenté dont l'espace périphérique dépasse 10 mm ou de lame de scie à dent.** Ces lames provoquent de fréquents rebonds et des pertes de contrôle.

Avertissements de sécurité spécifiques aux opérations de meulage et de coupe

a) **Utilisez seulement les meules spécifiées pour votre outil électrique et la protection conçue pour la meule sélectionnée.** Les meules qui ne sont pas conçues pour l'outil électrique ne peuvent être protégées convenablement et ne sont pas sécuritaires.

b) **La surface de meulage des meules à moyeu déporté doit être installée dessous le rabot du bord du protecteur.** Une meule mal installée qui projette à travers le rabot de la lèvre du protecteur ne peut pas bien être protégée.

c) **Le protecteur doit être fixé de façon sécuritaire à l'outil électrique et placé pour une sécurité maximale afin que le moins de la meule possible soit exposé à l'utilisateur.** Le protecteur aide à protéger l'utilisateur des fragments de la meule brisée, du contact accidentel avec la meule et des étincelles qui pourraient enflammer vos vêtements.

d) **Les meules doivent être utilisées seulement pour les applications spécifiées.** Par exemple : ne pas meuler avec le côté de la meule de coupe. Les meules de coupe sont conçues pour le meulage périphérique, les forces latérales appliquées sur ces meules peuvent les faire éclater.

e) **Utilisez toujours des brides de meules non endommagées ayant la bonne taille et la bonne forme pour la meule sélectionnée.** Les brides de meules appropriées soutiennent la meule réduisant ainsi la possibilité d'un bris de la meule. Les brides pour les meules de coupe peuvent être différentes des brides de meules de meulage.

f) **Ne pas utiliser des meules usées d'outils électriques plus gros.** La meule conçue pour les outils électriques plus gros ne convient pas pour la vitesse plus élevée d'un petit outil et peut éclater.

g) **Lorsque vous utilisez des meules à double usage, utilisez toujours le protecteur approprié pour l'application en cours.** Si vous n'utilisez pas la protection appropriée, vous risquez de ne pas obtenir le niveau de protection souhaité, ce qui pourrait entraîner des blessures graves.

Avertissements de sécurité supplémentaires spécifiques aux opérations de coupe

a) **Ne pas « bloquer » la meule de coupe ou appliquer une pression excessive. Ne tentez pas de faire une coupe de profondeur excessive.** Surcharger le disque augmente la charge et la prédisposition à la torsion ou au coincement du disque dans la coupe et la possibilité de rebond ou de rupture du disque.

b) **Ne pas placer votre corps en ligne avec et derrière la meule en rotation.** Lorsque la meule, au point de fonctionnement, se déplace loin de votre corps, le possible rebond peut projeter la meule en rotation et l'outil électrique directement sur vous.

c) Lorsque la meule se bloque ou lorsque vous interrompez une coupe pour une raison quelconque, arrêtez l'outil électrique et maintenez-le immobile jusqu'à ce que la meule s'arrête complètement. Ne jamais tenter de retirer la meule de coupe de la coupe pendant que la meule est en mouvement sinon un rebond peut se produire. Examinez-la et prenez des mesures correctives pour éliminer la cause du blocage de la meule.

d) **Ne pas redémarrer la coupe dans la pièce à travailler. Laissez le disque atteindre sa pleine vitesse et rentrez doucement dans la coupe.** La meule peut se coincer, s'approcher ou rebondir si l'outil électrique est redémarré dans la pièce à travailler.

e) **Soutenez les panneaux ou toute pièce à travailler surdimensionnée afin de réduire le risque de coincement ou de rebond de la meule.** Les grosses pièces à travailler ont tendance à s'affaisser sous leur propre poids. Des supports doivent être placés sous la pièce de travail près de la ligne de coupe et près du bord de la pièce de travail des deux côtés de la meule.

f) **Soyez très prudent lorsque vous faites une « encoche » dans les parois actuelles ou d'autres zones aveugles.** La meule qui dépasse peut couper les conduites d'eau ou de gaz, les câbles électriques ou des objets qui peuvent causer un rebond.

g) **N'essayez pas de faire des coupes courbes.** Surcharger la meule augmente la charge et la prédisposition à la torsion ou au coincement de la meule dans la coupe et la possibilité de rebond ou de bris de la meule, ce qui peut entraîner des blessures graves.

Avertissements spécifiques de sécurité propres aux opérations de ponçage

a) **Veillez à utiliser des feuilles abrasives rondes de la bonne taille. Suivez les recommandations des fabricants pour choisir le papier abrasif.** L'utilisation de feuilles de papier abrasif de grande taille, dépassant trop du patin de ponçage peut occasionner un risque de coupure. Elles peuvent se coincer et se déchirer et entraîner des rebonds du disque.

Avertissements de sécurité spécifiques pour les opérations de brossage métallique

a) **N'oubliez pas que des fils de brosse sont éjectés même aux cours d'opérations ordinaires. Ne contraignez pas trop les fils métalliques en appliquant une pression excessive sur la brosse.** Les fibres métalliques peuvent facilement pénétrer dans les vêtements légers et/ou la peau.

b) **Si l'utilisation d'un carter de protection est recommandée pour le brossage métallique, le disque ou la brosse ne doivent en aucun cas toucher le carter.** Le diamètre du disque-brosse ou de la brosse métallique peut augmenter en fonction de la sollicitation de l'outil et de la force centrifuge.

Renseignements de sécurité supplémentaires

▲ **AVERTISSEMENT :** ne modifiez jamais l'outil électrique ou toute pièce de celui-ci. Cela pourrait entraîner des dommages matériels ou des blessures corporelles.

▲ **AVERTISSEMENT :** portez **TOUJOURS** des lunettes de sécurité. Les lunettes ordinaires NE SONT PAS des lunettes de sécurité. Utilisez également un masque facial ou anti-poussière si l'opération de coupe est poussiéreuse. **PORTEZ TOUJOURS UN ÉQUIPEMENT DE SÉCURITÉ IDENTIFIÉ :**

- protection oculaire ANSI Z87.1 (CAN/CSA Z94.3),
- protection auditive ANSI S12.6 (S3.19),
- protection respiratoire NIOSH/OSHA/MSHA.

▲ **AVERTISSEMENT :** certaines poussières créées par le ponçage mécanique, le sciage, l'aiguisage, le perçage et autres activités de construction contiennent des produits chimiques reconnus dans l'État de la Californie pour causer le cancer et des anomalies congénitales ou autres effets nuisibles sur la reproduction. Certains exemples de ces produits chimiques sont :

- le plomb provenant des peintures à base de plomb,
- la silice cristallisée provenant des briques, du ciment et d'autres produits de la maçonnerie ainsi que
- l'arsenic et le chrome provenant du bois de construction traité chimiquement.

Votre risque à ces expositions varie selon la fréquence dont vous effectuez ce type de travail. Pour réduire votre exposition à ces produits chimiques : travaillez dans un endroit bien aéré et avec un équipement de sécurité homologué, comme les masques anti-poussière spécialement conçus pour filtrer les particules microscopiques.

▲ **AVERTISSEMENT :** l'utilisation de cet outil peut générer et/ou disperser de la poussière qui peut causer des lésions respiratoires graves et permanentes ou d'autres blessures. Utilisez toujours une protection respiratoire approuvée par NIOSH/OSHA appropriée pour l'exposition à la poussière. Dirigez les particules loin du visage et du corps.

▲ **AVERTISSEMENT :** portez toujours une protection auditive personnelle appropriée conforme à ANSI S12.6 (S3.19) durant l'utilisation. Dans certaines conditions et selon la durée d'utilisation, le bruit provenant de ce produit peut contribuer à la perte de l'audition.

- **Portez des vêtements protecteurs et lavez vos zones exposées avec du savon et de l'eau.** Permettre à la poussière d'entrer dans votre bouche, vos yeux ou la laisser sur la peau peut favoriser l'absorption des produits chimiques dangereux. Dirigez les particules loin du visage et du corps.
- **Utilisez l'extracteur de poussière approprié pour enlever la grande majorité de la poussière statique et en**

suspension dans l'air. Ne pas enlever la poussière statique et en suspension dans l'air peut contaminer l'environnement de travail ou présenter un risque accru pour la santé de l'utilisateur et les personnes à proximité.

- **Utilisez des pinces ou d'autres méthodes pratiques pour sécuriser et maintenir la pièce de travail sur une plateforme stable.** Tenir le travail par une main ou contre votre corps est instable et peut mener à une perte de contrôle et une blessure.

- **Utilisez toujours la poignée auxiliaire.** Serrez la poignée de façon sécuritaire. La poignée auxiliaire doit toujours être utilisée pour maintenir le contrôle de l'outil en tout temps.

- **Pour éviter que l'extrémité de l'axe entre en contact avec le fond du trou de la meule, utilisez des accessoires dont la profondeur du trou fileté est d'au moins 21 mm.** Ne pas utiliser un accessoire de bonne profondeur fileté peut endommager la meule et blesser l'opérateur ou les personnes à proximité.

- **Le diamètre de l'axe des meules regroupées, des brides, des plaques de presse ou de tout autre accessoire doit s'ajuster à la tige de l'outil électrique.** Les accessoires ayant des trous qui ne correspondent pas au matériel de montage de l'outil électrique manqueront d'équilibre, vibreront de façon excessive ou peuvent entraîner une perte de contrôle.

- **Évitez de faire rebondir la meule ou de la traiter durement.** Dans ce cas, arrêtez l'outil et inspectez la meule en termes de fissures ou défauts.

- Manipulez et rangez toujours les meules avec soin.

- **N'utilisez pas cet outil durant de longues périodes.**

La vibration causée par l'action du fonctionnement de cet outil peut causer des blessures permanentes aux doigts, aux mains et aux bras. Utilisez des gants pour offrir un coussin supplémentaire, prenez des pauses fréquentes et limitez la durée d'utilisation quotidienne.

- **Les lunettes de sécurité avec des parois latérales et un masque protecteur complet conformes à la norme ANSI Z87.1 DOIVENT être portées par l'utilisateur et les autres personnes qui se situent à moins de 50 pi (15,2 m) de l'utilisation de ce produit.**

- **Les événements couvrent souvent des pièces qui se déplacent et doivent être évités.** Des vêtements amples, les bijoux ou les cheveux longs peuvent se coincer dans des pièces qui déplacent.

a) **Le montage fileté des accessoires doit correspondre au filet de tige de la meuleuse. Pour les accessoires fixés par des brides, l'alésage central de l'accessoire doit correspondre au diamètre de repérage de la bride.** Les accessoires qui ne correspondent pas au matériel de montage de l'outil électrique manqueront d'équilibre, vibreront de façon excessive ou peuvent entraîner une perte de contrôle.

















- **Ne pas utiliser les meules de type 11 (soucepe) sur cet outil.** L'utilisation d'accessoire inadaptés peut provoquer des blessures.

- **Avant de démarrer l'outil avec une nouvelle meule installée ou d'un remplacement de la brosse métallique installée, tenez l'outil dans un endroit bien protégé et laissez-le fonctionner durant une minute.** Si la meule a une fissure ou un défaut non détecté, elle devrait éclater en moins d'une minute. Si la brosse métallique a des fils desserrés, ils seront détectés. Ne démarrez jamais l'outil avec une personne en ligne avec la meule. Cela comprend l'utilisateur.

- **L'utilisation d'accessoires non spécifiés dans ce manuel est déconseillée et peut être dangereuse.** L'utilisation d'amplificateurs de puissance pour faire tourner l'outil à des vitesses supérieures à sa vitesse nominale constitue un mauvais emploi.

▲ ATTENTION : lorsque vous ne l'utilisez pas, placez l'outil sur le côté sur une surface stable là où cela n'entraînera pas un risque de trébuchement ou de chute. Certains outils avec de gros blocs-piles se tiendront debout sur le bloc-piles, mais ils peuvent facilement être renversés.

L'étiquette sur votre outil peut comporter les symboles suivants. Les symboles et les définitions sont les suivants :

V	volt(s)	n	vitesse nominale
Hz	hertz	PSI.....	livres par pouce carré
min	minutes		borne de terre
 ou CC.....	courant continu		symbole d'alertes de sécurité
	Structure de classe I (mise à la terre)		rayonnement visible - ne regardez pas directement la lampe
.../min.....	par minute		portez une protection respiratoire
BPM.....	battements par minute		portez une protection oculaire
IPM.....	impacts par minute		portez une protection auditive
OPM.....	oscillations par minute		lisez toute la documentation
Tr/min.....	tours par minute		ne pas exposer à la pluie
sfp/m.....	pieds de surface par minute		toujours utiliser les deux mains
CPM.....	coups par minute		ne pas utiliser la protection pour les opérations de coupe
A.....	ampères		Pile
W.....	watts		
Wh.....	Watheures		
Ah.....	ampères-heures		
 ou CA.....	courant alternatif		
 ou CA/CC.....	courant alternatif ou continu		
	Structure de classe II (doublement isolé)		
n ₀	vitesse à vide		

Caractéristiques

E-Switch Protection™

Les commutateurs latéraux de MARCHE/ARRÊT ont une fonction de déclenchement en cas de manque de tension. En cas d'arrêt inattendu ou lorsqu'une pile est insérée, les commutateurs devront être relâchés et la séquence de démarrage devra être exécutée pour redémarrer l'outil.

E-Clutch™

Cet appareil est muni d'un E-Clutch™ (embrayage électronique), qui en cas de surcharge, éteint l'appareil afin de réduire le couple de réaction pour l'utilisateur. Pour redémarrer l'outil, une séquence (arrêt/marche) devra être effectuée sur le commutateur.

Kickback Brake™

Lorsqu'un pincement, une immobilisation ou un blocage est détecté, le frein électronique exerce une force maximum pour arrêter rapidement la meule, réduire la contre-réaction de l'outil et coupera l'alimentation de l'outil. Pour redémarrer l'outil, une séquence (arrêt/marche) doit être effectuée sur le commutateur.

Protection de surcharge Power-Off™

L'alimentation électrique du moteur sera réduite en cas de surcharge du moteur. Si la surcharge du moteur persiste, l'outil s'éteint. Pour redémarrer l'outil, une séquence (arrêt/marche) doit être effectuée sur le commutateur. L'outil s'éteint chaque fois que la charge de courant atteint la valeur de surcharge de courant (point de combustion du moteur). Lorsque des arrêts pour surcharge répétitifs se produisent, appliquez moins de force/poids sur l'outil jusqu'à ce qu'il fonctionne sans déclencher de surcharge.

Démarrage progressif électronique

Cette fonctionnalité limite la vitesse de démarrage initiale, permettant à l'outil d'atteindre progressivement sa pleine vitesse dans un délai d'une seconde.

ASSEMBLAGE ET RÉGLAGES

▲ AVERTISSEMENT : afin de réduire le risque des blessures corporelles graves, arrêtez l'appareil et retirez le blocs-piles avant d'effectuer tout réglage ou de retirer/installer des pièces ou des accessoires. Un démarrage accidentel peut causer des blessures.

Fixer la poignée latérale (Fig. B)

▲ AVERTISSEMENT : cette poignée DOIT ÊTRE UTILISÉE EN TOUT TEMPS pour maintenir le contrôle complet de l'outil. Assurez-vous toujours que la poignée est serrée.

Vissez solidement la poignée latérale **6** dans un des trous sur le côté du boîtier d'engrenage. La poignée latérale doit toujours être utilisée pour maintenir le contrôle de l'outil en tout temps.

Installer la protection à clip (Fig. A, C1, C2)

La protection à clip permet de transformer une protection de type B en une protection de type A.

1. Placez la protection à clip sur la protection de type B de manière à ce que le crochet **13** de l'extrémité de la protection à clip soit aligné sur le bord **14** de la protection de type B.
2. Appuyez sur le levier de la protection à clip **15** jusqu'à ce que le bouton de verrouillage **16** s'engage dans le crochet de verrouillage **17**. La protection à clip est maintenant verrouillée en place.
3. Pour retirer la protection à clip, appuyez sur le bouton de verrouillage **16** vers le levier de la protection à clip et le levier de la protection à clip se débloque. Le levier de la protection à clip peut maintenant être soulevé et la protection à clip peut être retirée de la protection de type B.

Protections

▲ ATTENTION : les protections doivent être utilisées avec les meules de meulage, les meules de coupe, les meules de ponçage à lamelles, les brosses métalliques et les meules métalliques. L'outil peut être utilisé sans protection seulement lors du ponçage avec des meules de ponçage conventionnels. Consultez le Tableau des accessoires pour connaître les protections fournies avec l'appareil. Certaines applications peuvent nécessiter d'acheter la protection adaptée chez votre détaillant local ou dans un centre de services autorisé.

REMARQUE : le meulage et la coupe de bords peuvent être effectués avec des meules de type 27 conçus et prévus à cet effet; les meules d'une épaisseur de 1/4 po (6,35 mm) sont conçus pour meuler une surface alors que les meules de

type 27 plus minces doivent être examinées en fonction de l'étiquette du fabricant pour voir si elles peuvent être utilisées pour meuler la surface ou seulement pour meuler/couper des bords. Une protection de type A/type B avec clip doit être utilisée pour toute meule où le meulage de surface est interdit. La coupe peut également être effectuée en utilisant une meule de type 1/41 et une protection de type A/type B avec clip.

REMARQUE : consultez le **Tableau des accessoires** pour sélectionner la combinaison de protections/accessoires appropriée.

Installer et retirer la protection (Fig. D)

Options de réglage

Pour le réglage de la protection, le levier de déblocage de la protection **8** s'engage dans l'un des trous d'alignement **12** du collier de protection à l'aide d'un dispositif à cliquet. Votre meuleuse offre deux options pour ce réglage.

Montage de la protection

▲ ATTENTION : avant d'installer la protection, assurez-vous que la vis, le levier et la tige sont bien fixés.

1. La tige faisant face à l'utilisateur, appuyez et maintenez le levier de libération de la protection **8**.
2. Alignez les pattes **19** de la protection avec les fentes **20** sur le boîtier d'engrenage.
3. Poussez la protection vers le bas jusqu'à ce que la languette s'engage et la fasse tourner dans la rainure sur le moyeu du boîtier d'engrenage. Relâchez le levier de libération de la protection.

4. Pour mettre la protection en position :

REMARQUE : le corps de la protection doit être placé entre la tige et l'utilisateur pour fournir une protection de l'utilisateur maximale. Le levier de libération de la protection doit cliquer dans un des trous d'alignement **12** sur le collier de la protection. Cela assure que la protection est sécuritaire.

5. Pour retirer la protection, suivez les étapes 1 à 3 de ces directives en sens inverse.

Brides et meules

▲ AVERTISSEMENT : afin de réduire le risque des blessures corporelles graves, éteignez l'outil et retirez le blocs-piles avant d'effectuer tout réglage ou de retirer/installer des pièces ou des accessoires. Un démarrage accidentel peut causer des blessures.

▲ AVERTISSEMENT : lors de l'utilisation de meules à segments diamantés, n'utilisez que des meules ayant un angle de coupe négatif et un écart périphérique ne dépassant pas 10 mm.

Montage de meules sans moyeu (Fig. A, E)

▲ AVERTISSEMENT : un mauvais placement de la bride ou de la meule peut entraîner des blessures graves (ou endommager l'outil ou la meule).

▲ ATTENTION : les brides incluses doivent être utilisées avec les meules à dépression centrale de type 27, les meules à dépression centrale de type 27/42 ainsi qu'avec les meules de coupe de type 1/41. Pour plus d'informations, consultez les **Tableau des accessoires DCG407, DCG408**.

▲ AVERTISSEMENT : utilisation de meules abrasives ou de meules diamantées nécessite l'utilisation d'une protection fermée des deux côtés ou d'une protection de type B avec protection à clip.

▲ AVERTISSEMENT : l'utilisation d'une bride ou d'une protection endommagée ou ne pas utiliser de bride ou de protection peut entraîner une blessure en raison d'un bris de la meule et/ou un contact avec celle-ci. Pour plus d'informations, consultez les **Tableau des accessoires DCG407, DCG408**.

Les meules de meulage de Type 27 à moyeu déporté doivent être utilisées avec les brides incluses.

1. Placez l'outil sur une table, protection relevée.
2. Installez la bride tournante **20** sur la tige **5** avec le centre (guide) élevé face à la meule. Mettez la bride tournante en place.
3. Placez la meule **21** contre la bride tournante en la centrant sur le centre élevé (guide) de la bride tournante.
4. Tout en appuyant sur le bouton de verrouillage de la tige et avec les creux des hexagones orientés à l'opposé de la meule, enflez la bride de verrouillage **22** sur la tige.
5. Pendant que vous appuyez sur le bouton de verrouillage de la tige, serrez la bride de verrouillage **22** à la main ou à l'aide de la clé fournie. (Utilisez seulement la bride de verrouillage si elle est en parfait état.) Pour voir les détails de la bride, consultez les **Tableau des accessoires DCG407, DCG408**.
6. Pour retirer la meule, procédez à l'inverse de la procédure précédente.

Installer les plaques de presse de ponçage (Fig. A, F)

▲ AVERTISSEMENT : n'utilisez que des plaques de presse dont la vitesse nominale est au moins égale à celle indiquée sur l'outil.

▲ AVERTISSEMENT : ne pas bien placer l'écrou de serrage et/ou la plaque peut entraîner des blessures graves (ou endommager l'outil ou la meule).

▲ AVERTISSEMENT : une protection appropriée doit être réinstallée pour les applications de la meule de meulage, la meule de coupe, le disque à lamelles de ponçage, la brosse métallique ou la meule métallique une fois que les applications de ponçage sont terminées.

REMARQUE : l'utilisation d'une protection avec les disques abrasifs qui utilisent des plaques de presse, souvent des disques en fibres de résine, n'est pas requise. Étant donné qu'une protection n'est pas requise pour ces accessoires, la protection peut s'ajuster ou non si elle est utilisée.

1. Placez ou enflez correctement la plaque de presse **23** sur la tige.
2. Placez le disque de ponçage **25** sur la plaque de presse.
3. En appuyant sur le bouton de verrouillage de la tige **4**, vissez l'écrou de serrage **25** de ponçage sur la tige en guidant le centre surélevé sur l'écrou de serrage au centre du disque de ponçage et de la plaque de presse.
4. Serrez l'écrou de serrage à la main. Ensuite, appuyez sur le bouton de verrouillage de la tige tout en tournant le disque de ponçage jusqu'à ce que le disque de ponçage et l'écrou de serrage soient serrés.
5. Pour retirer la meule, saisissez et tournez la plaque de presse et le patin de ponçage tout en appuyant sur le bouton de verrouillage de la tige.

Installation et retrait des meules à moyeu (Fig. G)

Les meules à moyeu s'installent directement sur la broche. Le filetage des accessoires doit correspondre à celui de

la broche.

1. Retirez la bride de soutien en la tirant hors de l'outil.
2. Vissez la meule sur la broche **5** manuellement.
3. Appuyez sur le bouton de verrouillage de la broche **4** et resserrez à l'aide d'une clé le moyeu de la meule.
4. Inversez la procédure ci-dessus pour retirer la meule.

AVIS : le fait de ne pas installer correctement la meule avant le démarrage de l'outil pose des risques d'endommager l'outil ou la meule.

Brosses métalliques circulaires (Fig. A, G)

▲ AVERTISSEMENT : ne pas bien placer la meule peut entraîner des blessures graves (ou endommager l'outil ou la meule).

▲ ATTENTION : afin de réduire le risque de blessures corporelles, portez des gants de travail lorsque vous manipulez des meules métalliques. Ils peuvent devenir coupants.

▲ ATTENTION : afin de réduire le risque d'endommager l'outil, la meule ou la brosse ne doit ne pas toucher la protection lorsqu'elle est installée ou pendant l'utilisation. Des dommages indétectables à l'accessoire pourraient se produire, entraînant le détachement des poils de la brosse de l'accessoire.

Les meules métalliques s'installent directement sur la tige filetée sans utiliser les brides. Utilisez uniquement les brosses métalliques fournies avec un moyeu fileté 5/8"-11. Ces accessoires sont disponibles à un coût supplémentaire chez votre détaillant local ou dans un centre de services autorisé.

1. Placez l'outil sur une table, protection relevée.
2. Vissez à la main la meule sur la tige **5**.
3. Appuyez sur le bouton de verrouillage de la tige **4** et utilisez une clé sur le moyeu de la meule métallique pour serrer la meule.
4. Pour retirer la meule, procédez à l'inverse de la procédure précédente.

AVIS : afin de réduire le risque d'endommager l'outil, placez correctement le moyeu de la meule avant de mettre l'outil en marche.

Avant d'utiliser

- Installez la protection et le disque ou la meule appropriés. Ne pas utiliser les disques ou les meules excessivement usés.
- Assurez-vous que la bride tournante et la bride de verrouillage filetée sont installées correctement. Suivez les instructions données dans les **Tableau des accessoires DCG407, DCG408**.
- Assurez-vous que le disque ou la meule tourne dans le sens des flèches sur l'accessoire et l'outil.
- Ne pas utiliser un accessoire endommagé. Avant chaque utilisation, inspectez les accessoires comme les meules abrasives en termes de copeaux et de fissures, la plaque d'appui en termes de fissures, de déchirure ou d'usure excessive, la brosse métallique en termes de fils détachés ou cassés. Si vous échappez l'outil ou un accessoire, inspectez-le pour des dommages ou installez un accessoire non endommagé. Après avoir inspecté et installé un accessoire, placez-vous, ainsi que les passants, à distance de la zone de rotation de l'accessoire et faites fonctionner l'outil électrique à la vitesse maximum à vide pendant une minute. Les

accessoires endommagés se brisent normalement durant la durée du test.

FONCTIONNEMENT

▲ AVERTISSEMENT : afin de réduire le risque des blessures corporelles graves, arrêtez l'appareil et retirez le bloc-piles avant d'effectuer tout réglage ou de retirer/installer des fixations ou des accessoires. Un démarrage accidentel peut causer des blessures.

Installation et retrait du bloc-piles (Fig. H)

▲ AVERTISSEMENT : assurez-vous que l'outil/appareil est en position d'arrêt avant d'insérer la batterie.

REMARQUE : pour une meilleure performance, assurez-vous que le bloc-piles est complètement chargé.

1. Pour installer le bloc-piles 9 dans l'outil, alignez le bloc-piles avec les glissières à l'intérieur de la poignée de l'outil et glissez-le dans la poignée jusqu'à ce que le bloc-piles soit bien placé dans l'outil et assurez-vous qu'il est enclenché.
2. Pour retirer le bloc-piles de l'outil, appuyez sur le bouton de libération 10 et tirez-le fermement hors de la poignée de l'outil. Insérez-le dans le chargeur.

Position correcte des mains (Fig. I)

▲ AVERTISSEMENT : afin de réduire tout risque de graves blessures, respectez **TOUJOURS** la position des mains recommandée et illustrée.

▲ AVERTISSEMENT : afin de réduire tout risque de graves blessures, veillez à **TOUJOURS** tenir l'outil fermement pour pouvoir anticiper toute éventuelle réaction soudaine.

La position correcte des mains nécessite d'avoir une main sur la poignée principale 11 et l'autre main sur la poignée auxiliaire 6, comme illustré par la Fig. I.

Gâchettes

▲ ATTENTION : tenez solidement la poignée auxiliaire et le corps de l'outil afin de maintenir le contrôle de l'outil au démarrage et durant l'utilisation jusqu'à ce que la meule ou l'accessoire cesse de tourner. Assurez-vous que la meule a complètement cessé de tourner avant de déposer l'outil.

REMARQUE : afin de réduire un mouvement inattendu de l'outil, ne pas allumer ou éteindre l'outil durant un chargement. Laissez fonctionner la meuleuse à pleine vitesse avant de toucher la surface de travail. Levez l'outil de la surface avant de l'éteindre. Laissez l'outil cesser de tourner avant de le déposer.

Interrupteur à glissière (Fig. A)

DCG407

▲ AVERTISSEMENT : avant de brancher l'outil à une source d'alimentation, assurez-vous que l'interrupteur à glissière est en position Arrêt. Assurez-vous que l'interrupteur à glissière est à la position Arrêt après toute interruption de l'alimentation électrique à l'outil, comme le changement de piles, l'activation du disjoncteur différentiel de fuite à la terre, le déclenchement d'un disjoncteur, un débranchement accidentel ou une panne de courant. Si l'interrupteur à glissière est verrouillé lorsque l'alimentation est branchée, l'outil démarrera de manière inattendue.

Pour démarrer l'outil, glissez l'interrupteur à glissière MARCHE/ARRÊT 1 vers l'avant de l'outil. Pour arrêter l'outil, relâchez l'interrupteur à glissière MARCHE/ARRÊT.

Pour un fonctionnement continu, glissez l'interrupteur vers l'avant de l'outil et appuyez sur la partie avant de l'interrupteur vers l'intérieur. Pour arrêter l'outil pendant le fonctionnement en mode continu, appuyez sur la partie arrière de l'interrupteur à glissière et relâchez.

Interrupteur à palette (Fig. A)

DCG408

▲ AVERTISSEMENT : avant de brancher l'outil à une source d'alimentation, assurez-vous que l'interrupteur à palette est en position Arrêt. Assurez-vous que l'interrupteur à palette est à la position Arrêt tel que décrit ci-dessus après toute interruption de l'alimentation électrique à l'outil, comme le changement de piles, l'activation du disjoncteur différentiel de fuite à la terre, le déclenchement d'un disjoncteur, un débranchement accidentel ou une panne de courant. Si l'interrupteur à palette est verrouillé lorsque l'alimentation est branchée, l'outil démarrera de manière inattendue.

1. Pour mettre l'outil en marche, poussez le levier de verrouillage 3 vers l'arrière de l'outil, puis appuyez sur l'interrupteur à palette 2. L'outil fonctionnera tant que vous appuierez sur l'interrupteur.
2. Éteignez l'outil en relâchant l'interrupteur à palette.

Verrouillage de la tige (Fig. A)

Le bouton de verrouillage de la tige 4 est fourni afin de prévenir la rotation de la tige pendant l'installation ou le retrait des disques. N'actionnez le blocage de la tige que lorsque l'outil est éteint, la batterie est déposée et la tige est à l'arrêt complet.

AVIS : afin de réduire le risque d'endommager l'outil, ne pas enclencher le verrouillage de la tige pendant que l'outil fonctionne. Des dommages à l'outil se produiront et l'accessoire fixé peut se détacher entraînant possiblement une blessure.

Pour enclencher le verrouillage, appuyez sur le bouton de verrouillage de la tige et tournez la tige jusqu'à ce que vous soyez incapable de la tourner davantage.

Meulage ponçage, et brossage métallique des surfaces (Fig. J)

▲ ATTENTION : veillez à toujours utiliser le bon carter de protection en fonction des instructions de la présente notice.

Pour travailler sur la surface d'un ouvrage :

1. Laissez l'outil atteindre son plein régime avant de le mettre en contact avec l'ouvrage.
2. N'appliquez qu'une légère pression sur la surface de l'ouvrage et laissez l'outil fonctionner à plein régime. La cadence de retrait de matière est meilleure lorsque l'outil fonctionne à plein régime.
3. Conservez un angle adapté entre l'outil et la surface à travailler. Consultez le diagramme relatif à la fonction spécifique.

Fonction	Angle \angle
Meulage	20° à 30°
Ponçage avec disque à lamelles	5° à 10°
Ponçage avec patin-support	5° à 15°
Brossage métallique	5° à 10°

4. Maintenez le contact entre le bord du disque et la surface de l'ouvrage.

- Pour meuler, poncer avec des disques à lamelles ou utiliser une brosse métallique déplacez continuellement l'outil d'avant en arrière afin de pas creuser la surface de l'ouvrage.

- Pour le ponçage avec un patin-support, déplacez l'outil en permanence en lignes droites pour ne pas brûler ou rayer la surface de l'ouvrage.

REMARQUE : laisser l'outil reposer sur la surface de l'ouvrage sans le déplacer peut endommager l'ouvrage.

5. Retirez l'outil de la surface de l'ouvrage avant de l'éteindre. Laissez l'outil s'arrêter complètement avant de le poser.

▲ ATTENTION : faites particulièrement attention quand vous intervenez sur les bords, car la meuleuse peut se déplacer de façon soudaine.

Précautions à prendre pour travailler sur des ouvrages peints

1. Le ponçage ou le broissage métallique des peintures au plomb NE SONT PAS RECOMMANDÉS en raison de la difficulté à contrôler la poussière contaminée. Ce sont les enfants et les femmes enceintes qui courent le plus grand risque d'empoisonnement par le plomb.

2. La difficulté à déterminer la teneur en plomb d'une peinture sans analyse chimique, impose le respect des précautions suivantes pour poncer toutes les peintures :

Sécurité des personnes

1. Les enfants et les femmes enceintes ne doivent pas pénétrer dans la zone de travail si des opérations de ponçage ou de broissage métallique de peintures ont lieu et tant que le nettoyage n'est pas terminé.

2. Toutes les personnes qui pénètrent dans la zone de travail doivent porter un masque à poussière ou un appareil respiratoire. Le filtre doit être remplacé tous les jours ou dès que l'utilisateur rencontre des difficultés pour respirer.

REMARQUE : il est indispensable de n'utiliser que des masques homologués pour les poussières et les fumées de peinture au plomb. Les masques pour peinture ordinaires n'offrent pas une telle protection. Prenez conseil auprès de votre quincaillier pour savoir quels masques à poussière NIOSH sont homologués.

3. NE MANGEZ, NE BUVEZ et NE FUMEZ pas dans la zone de travail afin d'éviter d'ingérer des particules de peinture contaminées. Les utilisateurs doivent se laver et procéder au nettoyage AVANT de manger, de boire ou de fumer. Les aliments et les cigarettes ne doivent pas être laissés dans la zone de travail si la poussière peut s'y déposer.

Sécurité pour l'environnement

1. La peinture doit être retirée de manière à réduire au minimum la quantité de poussière générée.
2. Les zones où le retrait de peinture a lieu doivent être scellées avec des bâches en plastique d'une épaisseur de 4 mils.
3. Le ponçage doit être effectué de manière à réduire l'entraînement de poussière de peinture hors de la zone de travail.

Nettoyage et mise au rebut

1. Toutes les surfaces de la zone de travail doivent être aspirées et nettoyées à fond, chaque jour et pendant toute la

durée du travail de ponçage. Les sacs filtrants des aspirateurs doivent être remplacés fréquemment.

2. Les bâches de protection en plastique doivent être rassemblées et jetées avec les poussières, copeaux et autres débris. Elles doivent être placées dans des contenants étanches et jetées en respectant les procédures habituelles de collecte des déchets.

Pendant le nettoyage, les enfants et les femmes enceintes doivent être tenus à l'écart de la zone de travail.

3. Tous les jouets, meubles lavables et ustensiles utilisés par les enfants doivent être lavés à fond avant de pouvoir être réutilisés.

Meulage et coupe de bordure (Fig. K)

▲ AVERTISSEMENT : ne pas utiliser les meules de meulage/coupe de bordure pour des applications de meulage de la surface puisque ces meules ne sont pas conçues pour les pressions latérales rencontrées lors du meulage de la surface. Cela peut entraîner le bris de la meule et des blessures.

▲ ATTENTION : les meules utilisées pour le meulage et la coupe de bordure peuvent se briser ou rebondir si elles se plient ou se tordent pendant que l'outil est utilisé. Dans toutes les opérations de meulage/coupe, le côté ouvert de la protection doit être placé à l'écart de l'utilisateur.

REMARQUE : la coupe/le meulage de bordure avec une meule de type 27 doit être limité à la coupe et à l'entaillage peu profonds – de moins de 1/2 po (13 mm) de profondeur – lorsque la meule est neuve. Réduisez la profondeur de la coupe/l'entaille équivalente à la réduction du rayon de la meule au fur et à mesure qu'elle s'use. Pour de plus amples renseignements, consultez le **Tableau des accessoires**. La coupe/le meulage des bords avec une meule de type 41 nécessite l'utilisation d'une protection de type 1/41/type A/type B avec clip.

1. Laissez l'outil atteindre sa pleine vitesse avant que celui-ci touche la surface de travail.
2. Appliquez une pression minimale sur la surface de travail en laissant l'outil fonctionner à vitesse élevée. Le taux de meulage/coupe est meilleur lorsque l'outil fonctionne à vitesse élevée.
3. Placez-vous de façon à ce que la face inférieure ouverte de la meule soit à l'opposé de vous.
4. Une fois qu'une coupe est commencée et qu'une encoche est effectuée dans la pièce à travailler, ne pas changer l'angle de la coupe. Changer l'angle fera plier la meule et cela peut causer le bris de la meule. Les meules de meulage du bord ne sont pas conçues pour résister aux pressions causées par le pliage.
5. Retirez l'outil de la surface de travail avant de l'éteindre. Laissez l'outil cesser de tourner avant de le déposer.

ENTRETIEN

▲ AVERTISSEMENT : afin de réduire le risque des blessures corporelles graves, arrêtez l'appareil et retirez le blocs-piles avant d'effectuer tout réglage ou de retirer/installer des pièces ou des accessoires. Un démarrage accidentel peut causer des blessures.

Votre chariot DEWALT a été conçu pour fonctionner sur une longue période avec un minimum d'entretien. Un fonctionnement satisfaisant continu dépend de l'entretien approprié et d'un nettoyage régulier de l'outil.

Nettoyage

▲ **AVERTISSEMENT** : enlever les saletés et la poussière hors des événements au moyen d'air comprimé propre et sec, au moins une fois par semaine. Pour minimiser le risque de blessure aux yeux, toujours porter une protection oculaire conforme à la norme ANSI Z87.1 lors du nettoyage.

▲ **AVERTISSEMENT** : ne jamais utiliser de solvants ni d'autres produits chimiques puissants pour nettoyer les pièces non métalliques de l'outil. Ces produits chimiques peuvent affaiblir les matériaux de plastique utilisés dans ces pièces. Utiliser un chiffon humecté uniquement d'eau et de savon doux. Ne jamais laisser de liquide pénétrer dans l'outil et n'immerger aucune partie de l'outil dans un liquide.

Accessoires

▲ **AVERTISSEMENT** : étant donné que les accessoires, autres que ceux offerts par DeWALT n'ont pas été testés avec ce produit, utiliser de tels accessoires avec cet outil pourrait être dangereux. Pour réduire les risques de blessures, seuls les accessoires recommandés par DeWALT doivent être utilisés avec ce produit.

▲ **AVERTISSEMENT** : n'utilisez pas une meule abrasive collée dont la date d'expiration (EXP) est dépassée, comme indiqué près du centre de la meule, si elle est fournie. Les meules périmées sont plus susceptibles d'éclater et de provoquer des blessures graves. Entrez les meules abrasives agglomérées dans un endroit sec, sans température ni humidité extrêmes. Détruisez les meules périmées ou endommagées afin qu'elles ne puissent pas être utilisées.

Les accessoires recommandés pour utilisation avec votre produit sont disponibles à un coût supplémentaire chez votre détaillant local ou dans un centre de services autorisé. Si vous avez besoin d'aide pour trouver un accessoire, veuillez contacter DeWALT en appelant au **1-800-4-DeWALT (1-800-433-9258)** ou visitez notre site Web : www.dewalt.com.

La capacité de cet outil est de 115 mm (4,5 po) de diamètre x 6 mm (1/4 po) d'épaisseur pour les meules et 3 mm (1/8 po) d'épaisseur pour les meules de coupe. Il est important de choisir les protections, les plaques de presse et les brides adaptées pour utilisation avec les accessoires de la meuleuse. Consultez le **Tableau des accessoires** pour des informations sur le choix des accessoires adaptés.

▲ **AVERTISSEMENT** : la capacité des accessoires doit être d'au moins la vitesse recommandée sur l'étiquette d'avertissement de l'outil. Les disques et autres accessoires utilisés au-delà de leur vitesse nominale peuvent voler en éclat et provoquer des blessures. Les accessoires filetés doivent avoir un moyeu de 5/8 po - 11. Tous les accessoires non filetés doivent avoir un trou de mandrin de 7/8 po (22 mm). Sinon, ils peuvent être conçus pour une scie circulaire. Utilisez uniquement les accessoires présentés dans le **Tableau des accessoires** de ce manuel. La capacité nominale de l'accessoire doit toujours être supérieure à la vitesse de l'outil, indiquée sur la plaque signalétique.

▲ **AVERTISSEMENT** : manipulez et entreposez toutes les meules abrasives afin de prévenir tout dommage dû à un choc thermique, la chaleur, des dommages mécaniques, etc. Entrez dans un endroit protégé de l'humidité, du gel ou de changements brusques de température.

Réparations

Le chargeur et le bloc-piles ne sont pas réparables. Le chargeur ou le bloc-piles ne comportent aucune pièce réparable.

▲ **AVERTISSEMENT** : pour assurer la **SÉCURITÉ** et la **FIABILITÉ** du produit, les réparations, l'entretien et les réglages doivent être réalisés (cela comprend l'inspection et le remplacement du balai, le cas échéant) par un centre de réparation en usine DeWALT ou un centre de réparation agréé DeWALT. Toujours utiliser des pièces de rechange identiques.

Enregistrez-vous en ligne

Nous vous remercions de votre achat. Enregistrez votre produit maintenant pour :

- **SERVICE DE GARANTIE** : l'enregistrement de votre produit en ligne vous aide à obtenir un service de garantie efficace au cas où vous auriez un problème avec votre produit.
- **CONFIRMATION DE PROPRIÉTÉ** : en cas de pertes liées aux assurances telles qu'un incendie, une inondation ou un vol, votre enregistrement de propriété servira de preuve de votre achat.
- **POUR VOTRE SÉCURITÉ** : l'enregistrement de votre produit nous permet de vous contacter dans le cas peu probable d'une notification de sécurité requise selon le Federal Consumer Safety Act.

Inscrivez-vous en ligne sur www.dewalt.com/account-login.

Garantie limitée de trois ans

Pour connaître les conditions de la garantie, consultez www.dewalt.com/support/warranty.

Pour demander une copie écrite des conditions de la garantie, contactez : Service à la clientèle chez DeWALT Industrial Tool Co., 701 East Joppa Road, Towson, MD 21286 ou appelez le **1-800-4-DeWALT (1-800-433-9258)**.






AMÉRIQUE LATINE : la présente garantie ne s'applique pas aux produits vendus en Amérique Latine. Pour les produits vendus en Amérique Latine, consultez les renseignements sur la garantie particulière au pays comprise dans l'emballage, appelez l'entreprise locale ou consultez le site Web pour les renseignements complets à propos de la garantie.

REPLACEMENT GRATUIT DES ÉTIQUETTES


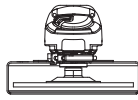

D'AVERTISSEMENT : si vos étiquettes d'avertissement deviennent illisibles ou sont manquantes, appelez le **1-800-4-DeWALT (1-800-433-9258)** pour un remplacement gratuit.

DCG407, DCG408 TABLEAU DES ACCESSOIRES


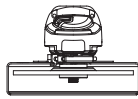



Meules approuvées pour utilisation avec DCG407, DCG408

Type 1 / T1 Type 41 / T41	
Type 27 / T27	
Type 28 / T28†	
Type 29 / T29	
Meules non approuvées pour DCG407, DCG408	
Type 11 / T11	


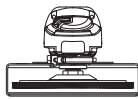

Meules de meulage à moyeu de type 27

Protection de type 27/ type B NA680164 (4,5 po)		
Meule avec moyeu de type 27		


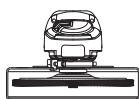



Meule de meulage à moyeu déporté de Type 27, 28

Protection de type 27/ type B NA680164 (4,5 po)		
Bride de presse N115381		
Meule à moyeu déporté de Type 27, 28		
Bride de verrouillage N134467		


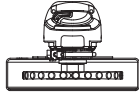

Meules à lamelles de ponçage avec moyeu

Protection de type 27/ type B NA680164 (4,5 po)		
Meule à lamelles de ponçage avec moyeu		

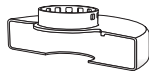
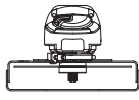




Meules à lamelles de ponçage sans moyeu

Protection de type 27/ type B NA680164 (4,5 po)		
Bride de presse N115381		
Meule à lamelles de ponçage sans moyeu		
Bride de verrouillage N134467		

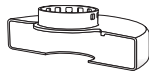
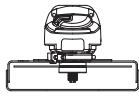




Brosses métalliques circulaires à moyeu

Protection de type 27/ type B NA680164 (4,5 po)		
Brosse métallique circulaire à moyeu		





Meules de coupe de type 1/41

Protection de Type 1/41 / Type A N487793**		
Protection de type B avec clip		
Bride de presse N115381		
Meule de coupe abrasive de type 1/41		
Bride de verrouillage N134467		

Meule de coupe diamantée

Protection de Type 1/41 / Type A N487793**		
Protection de type B avec clip		
Bride de presse N115381		
Meule de coupe diamantée		
Bride de verrouillage N134467		


Meules de ponçage

Plaque d'appui en caoutchouc DABP4RR58**		
Meule de ponçage		
Écrou de fixation de sablage (Inclus avec la plaque de presse en caoutchouc DABP4RR58**)		

Clé pour meule à moyeu

Clé pour meule à moyeu N541784**	
----------------------------------	---

Coiffes

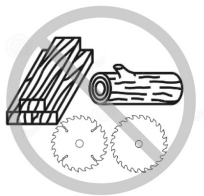
Coiffe de coupe pour béton DWE46125 5 po**	
---	---

▲ Les protections de type 1/41 ou d'une protection de type B avec protection à clip sont prévues pour utilisation avec les meules de coupe type 1/41 et les meules de type 27 marquées pour coupe seulement. Poncer avec une meule autre que les types 27 et 29 exigent une garde d'accessoire différente. Utilisez toujours la protection la plus petite possible qui n'entre pas en contact avec l'accessoire.

** **REMARQUE** : disponible à un coût supplémentaire chez votre détaillant local ou dans un centre de service agréé.

† **REMARQUE** : meules à centre déporté de type 28 seulement.

▲ DANGER : ne pas utiliser pour couper ou sculpter du bois. N'utiliser aucune sorte de lame dentée. Des blessures graves pourraient être causées.



Uso Pretendido

Esta esmeriladora de ángulo pequeño de servicio pesado se diseñó para aplicaciones de esmerilado, lijado, cepillado de alambre, y corte profesionales en varios sitios de trabajo (por ejemplo, sitios de construcción).

NO use bajo condiciones húmedas o en presencia de líquidos o gases inflamables.

▲ PELIGRO: No la use para cortar madera o tallar madera. No use cuchillas aserradas de ningún tipo. Puede resultar en lesiones serias.

Esta esmeriladora de ángulo pequeño de servicio pesado es una herramienta eléctrica profesional. **NO** permita que niños estén en contacto con la herramienta. Se requiere supervisión cuando operadores sin experiencia operen esta herramienta.

ADVERTENCIAS GENERALES DE SEGURIDAD PARA HERRAMIENTAS ELÉCTRICAS

▲ ADVERTENCIA: Lea todas las advertencias de seguridad, instrucciones, ilustraciones y especificaciones incluidas con esta herramienta eléctrica. La falla en seguir todas las instrucciones siguientes puede resultar en descarga eléctrica, incendio y/o lesiones serias.

CONSERVE TODAS LAS ADVERTENCIAS E INSTRUCCIONES PARA FUTURAS CONSULTAS.

El término "herramienta eléctrica" incluido en las advertencias hace referencia a las herramientas eléctricas operadas con corriente (con cable eléctrico) o a las herramientas eléctricas operadas con baterías (inalámbricas).

1) Seguridad en el Área de Trabajo

- Mantenga el área de trabajo limpia y bien iluminada.** Las áreas abarrotadas y oscuras propician accidentes.
- No opere las herramientas eléctricas en atmósferas explosivas, como ambientes donde haya polvo, gases o líquidos inflamables.** Las herramientas eléctricas originan chispas que pueden encender el polvo o los vapores.
- Mantenga alejados a los niños y a los espectadores de la herramienta eléctrica en funcionamiento.** Las distracciones pueden provocar la pérdida de control.

2) Seguridad Eléctrica

- Los enchufes de la herramienta eléctrica deben adaptarse al tomacorriente. Nunca modifique el enchufe de ninguna manera. No utilice ningún enchufe adaptador con herramientas eléctricas con conexión a tierra.** Los enchufes no modificados y que se adaptan a los tomacorrientes reducirán el riesgo de descarga eléctrica.
- Evite el contacto corporal con superficies con descargas a tierra como, por ejemplo, tuberías, radiadores, cocinas eléctricas y refrigeradores.** Existe mayor riesgo de descarga eléctrica si su cuerpo está puesto a tierra.
- No exponga las herramientas eléctricas a la lluvia o a condiciones de humedad.** Si entra agua a una herramienta eléctrica, aumentará el riesgo de descarga eléctrica.
- No maltrate el cable. Nunca utilice el cable para transportar, tirar o desenchufar la herramienta eléctrica. Mantenga el cable alejado del calor, el aceite, los bordes filosos y las piezas móviles.** Los cables dañados o enredados aumentan el riesgo de descarga eléctrica.
- Al operar una herramienta eléctrica en el exterior, utilice un cable prolongador adecuado para tal uso.**

Utilice un cable adecuado para uso en exteriores a fin de reducir el riesgo de descarga eléctrica.

f) **Si el uso de una herramienta eléctrica en un lugar húmedo es imposible de evitar, utilice un suministro protegido con un interruptor de circuito por falla a tierra (GFCI).** El uso de un GFCI reduce el riesgo de descargas eléctricas.

3) Seguridad Personal

- Permanezca alerta, controle lo que está haciendo y utilice el sentido común cuando emplee una herramienta eléctrica. No utilice una herramienta eléctrica si está cansado o bajo el efecto de drogas, alcohol o medicamentos.** Un momento de descuido mientras se opera una herramienta eléctrica puede provocar lesiones personales graves.
 - Utilice equipos de protección personal. Siempre utilice protección para los ojos.** En las condiciones adecuadas, el uso de equipos de protección, como máscaras para polvo, calzado de seguridad antideslizante, cascos o protección auditiva, reducirá las lesiones personales.
 - Evite el encendido por accidente. Asegúrese de que el interruptor esté en la posición de apagado antes de conectarlo a la fuente de energía o paquete de baterías, o antes de levantar o transportar la herramienta.** Transportar herramientas eléctricas con el dedo apoyado en el interruptor o enchufar herramientas eléctricas con el interruptor en la posición de encendido puede propiciar accidentes.
 - Retire la clavija de ajuste o la llave de tuercas antes de encender la herramienta eléctrica.** Una llave de tuercas o una clavija de ajuste que quede conectada a una pieza giratoria de la herramienta eléctrica puede provocar lesiones personales.
 - No se estire. Conserve el equilibrio y párese adecuadamente en todo momento.** Esto permite un mejor control de la herramienta eléctrica en situaciones inesperadas.
 - Use la vestimenta adecuada. No use ropas holgadas ni joyas. Mantenga el cabello y la ropa alejados de las piezas en movimiento.** Las ropas holgadas, las joyas o el cabello largo pueden quedar atrapados en las piezas en movimiento.
 - Si se suministran dispositivos para la conexión de accesorios con fines de recolección y extracción de polvo, asegúrese de que estén conectados y que se utilicen correctamente.** El uso de dispositivos de recolección de polvo puede reducir los peligros relacionados con el polvo.
 - No permita que la familiaridad obtenida a partir del uso frecuente de herramientas le permitan volverse descuidado e ignorar los principios de seguridad de la herramienta.** Una acción descuidada puede causar lesiones severas en una fracción de segundo.
- #### 4) Uso y Mantenimiento de la Herramienta Eléctrica
- No fuerce la herramienta eléctrica. Utilice la herramienta eléctrica correcta para el trabajo que realizará.** Si se la utiliza a la velocidad para la que fue diseñada, la herramienta eléctrica correcta permite trabajar mejor y de manera más segura.
 - No utilice la herramienta eléctrica si no puede encenderla o apagarla con el interruptor.** Toda herramienta eléctrica que no pueda ser controlada mediante el interruptor es peligrosa y debe repararse.

c) **Desconecte el enchufe de la fuente de alimentación y/o retire la batería, o paquete si es desmontable, de la herramienta eléctrica antes de realizar cualquier ajuste, cambiar accesorios o almacenar herramientas eléctricas.**

Estas medidas de seguridad preventivas reducen el riesgo de encender la herramienta eléctrica en forma accidental.

d) **Guarde la herramienta eléctrica que no esté en uso fuera del alcance de los niños y no permita que otras personas no familiarizadas con ella o con estas instrucciones operen la herramienta.** Las herramientas eléctricas son peligrosas si son operadas por usuarios no capacitados.

e) **Dé mantenimiento a las herramientas eléctricas y accesorios. Revise que no haya piezas en movimiento mal alineadas o trabadas, piezas rotas o cualquier otra situación que pueda afectar el funcionamiento de la herramienta eléctrica. Si encuentra daños, haga reparar la herramienta eléctrica antes de utilizarla.** Se producen muchos accidentes a causa de las herramientas eléctricas que carecen de un mantenimiento adecuado.

f) **Mantenga las herramientas de corte afiladas y limpias.** Las herramientas de corte con mantenimiento adecuado y con los bordes de corte afilados son menos propensas a trabarse y son más fáciles de controlar.

g) **Utilice la herramienta eléctrica, los accesorios y las brocas de la herramienta, etc. de acuerdo con estas instrucciones y teniendo en cuenta las condiciones de trabajo y el trabajo que debe realizarse.** El uso de la herramienta eléctrica para operaciones diferentes de aquéllas para las que fue diseñada podría originar una situación peligrosa.

h) **Mantenga las manijas y superficies de sujeción secas, limpias y libres de aceite y grasa.** Las manijas y superficies de sujeción resbalosas no permiten el manejo y control seguros de la herramienta en situaciones inesperadas.

5) Uso y Mantenimiento de la Herramienta con Baterías

a) **Recargue solamente con el cargador especificado por el fabricante.** Un cargador adecuado para un tipo de paquete de baterías puede originar riesgo de incendio si se utiliza con otro paquete de baterías.

b) **Utilice herramientas eléctricas sólo con paquetes de baterías específicamente diseñados.** El uso de cualquier otro paquete de baterías puede producir riesgo de incendio y lesiones.

c) **Cuando no utilice el paquete de baterías, manténgalo lejos de otros objetos metálicos como sujetapapeles, monedas, llaves, clavos, tornillos u otros objetos metálicos pequeños que puedan realizar una conexión desde un terminal al otro.** Los cortocircuitos en los terminales de la batería pueden provocar quemaduras o incendio.

d) **En condiciones abusivas, el líquido puede ser expulsado de la batería. Evite su contacto. Si entra en contacto accidentalmente, enjuague con agua. Si el líquido entra en contacto con los ojos, busque atención médica.** El líquido expulsado de la batería puede provocar irritación o quemaduras.

e) **No use un paquete de batería o herramienta que estén dañados o modificados.** Las baterías dañadas o modificadas pueden presentar un comportamiento impredecible que resulte en incendios, explosión o riesgo de lesiones.

f) **No exponga un paquete de batería o una herramienta a fuego o temperatura excesiva.** La exposición a fuego o temperaturas mayores a 130 °C (265 °F) pueden causar una explosión.

g) **Siga todas las instrucciones de carga y no cargue el paquete de batería o la herramienta fuera del rango de temperatura especificado en las instrucciones.** Cargar inadecuadamente o en una temperatura fuera del rango de temperatura especificado puede dañar la batería e incrementar el riesgo de incendio.

6) Mantenimiento

a) **Solicite a una persona calificada en reparaciones que realice el mantenimiento de su herramienta eléctrica y que sólo utilice piezas de repuesto idénticas.** Esto garantizará la seguridad de la herramienta eléctrica.

b) **Nunca dé servicio a paquetes de batería dañados.** El servicio de paquetes de batería sólo debe ser realizado por el fabricante o proveedores de servicio autorizados.

INSTRUCCIONES DE SEGURIDAD PARA TODAS LAS OPERACIONES

Advertencias de seguridad comunes para Esmerilado, Lijado, Pulido con Alambre u Operaciones de corte

a) **Esta herramienta eléctrica está diseñada para funcionar como una esmeriladora, lijadora, cepillo de alambre, o herramienta de corte. Lea todas las advertencias de seguridad, instrucciones, ilustraciones y especificaciones incluidas con esta herramienta eléctrica.** La falla en seguir todas las instrucciones siguientes puede resultar en descarga eléctrica, incendio y/o lesiones serias.

b) **No se deben realizar operaciones como el pulido o corte de orificios con esta herramienta eléctrica.** Las operaciones para las que la herramienta eléctrica no fue diseñada pueden crear un peligro y causar lesiones personales.

c) **No convierta esta herramienta eléctrica para que funcione de una manera que no esté específicamente diseñada y especificada por el fabricante de la herramienta.** Tal conversión puede resultar en una pérdida de control y causar lesiones personales graves.

d) **No use accesorios que no hayan sido diseñados específicamente y especificados por el fabricante de la herramienta.** Sólo porque el accesorio se puede conectar a su herramienta eléctrica, no garantiza una operación segura.

e) **La velocidad nominal del accesorio debe ser por lo menos igual a la velocidad máxima marcada en la herramienta eléctrica.** Los accesorios que operen más rápido que su velocidad nominal pueden romperse y salir expulsados.

f) **El diámetro exterior y el espesor de su accesorio deben estar dentro de la capacidad nominal de su herramienta eléctrica.** Los accesorios de tamaño incorrecto no pueden guardarse o controlarse adecuadamente.

g) **Las dimensiones del montaje de accesorios deben coincidir con las dimensiones del hardware de montaje de la herramienta eléctrica.** Los accesorios que no coincidan con el hardware de montaje de la herramienta eléctrica quedarán desequilibrados, vibrarán excesivamente y pueden provocar la pérdida de control.

h) **No use un accesorio dañado. Antes de cada uso, revise el accesorio tales como las ruedas abrasivas respecto a astillas y grietas, la almohadilla de respaldo respecto a grietas, ruptura o desgaste excesivo o el**

cepillo de alambre respecto a alambres sueltos o agrietados. Si se deja caer la herramienta eléctrica o el accesorio, revise respecto a daño o instale un accesorio que no esté dañado. Después de revisar e instalar un accesorio, colóquese usted y a los espectadores lejos del plano del accesorio giratorio y opere la herramienta eléctrica en la velocidad sin carga máxima durante un minuto. Los accesorios dañados por lo general se romperán durante este tiempo de prueba.

i) Use equipo de protección personal. Dependiendo de la aplicación, use una protección facial, gafas de seguridad o gafas de seguridad. Conforme sea apropiado, use máscara contra polvo, protectores auditivos, guantes y un delantal de taller capaz de detener pequeños fragmentos abrasivos o piezas de trabajo. La protección de los ojos debe ser capaz de detener los desechos que sean expulsados generados por diversas aplicaciones. La máscara contra polvo o el respirador deben ser capaces de filtrar partículas generadas por la aplicación particular. La exposición prolongada al ruido de alta intensidad puede causar pérdida auditiva.

j) Mantenga a los espectadores a una distancia segura del área de trabajo. Cualquier persona que ingrese al área de trabajo debe usar equipo de protección personal. Los fragmentos de la pieza de trabajo o de un accesorio roto pueden ser expulsados y causar lesiones más allá del área inmediata de operación.

k) Sostenga la herramienta eléctrica por las superficies de sujeción aisladas únicamente, cuando realice una operación en la que el accesorio de corte pueda hacer contacto con cableado oculto. El accesorio de corte que haga contacto con cable "vivo" puede tener partes de metal expuestas de la herramienta eléctrica "viva" y podrían dar al operador una descarga eléctrica.

l) Nunca coloque la herramienta eléctrica hacia abajo hasta que el accesorio se detenga por completo. El accesorio giratorio puede agarrar la superficie y extraer la herramienta eléctrica salga de su control.

m) No opere la herramienta eléctrica mientras la lleva a su lado. El contacto accidental con el accesorio giratorio podría sujetar su ropa, tirando del accesorio en su cuerpo.

n) Limpie regularmente las rejillas de ventilación de la herramienta eléctrica. El ventilador del motor extraerá el polvo dentro del alojamiento y la acumulación excesiva de metal en polvo puede causar peligros eléctricos.

o) No opere la herramienta eléctrica cerca de materiales inflamables. Las chispas podrían encender estos materiales.

p) No use accesorios que requieran refrigerantes líquidos. El uso de agua u otros líquidos refrigerantes puede provocar electrocución o descarga eléctrica.

Advertencias de retroceso y relacionadas

El retroceso es una reacción repentina a una rueda giratoria, almohadilla abrasiva, cepillo u otro accesorio atrapados o atorados. El atrapamiento o atoramiento causa el paro rápido del accesorio giratorio que a su vez causa que la herramienta eléctrica descontrolada se fuerce en la dirección opuesta a la rotación del accesorio en el punto de la adherencia.

Por ejemplo, si una rueda abrasiva se atasca o atora por la pieza de trabajo, el borde de la rueda que entra en el punto de atrapamiento puede introducirse en la superficie del material causando que la rueda suba o retroceda. La rueda puede saltar hacia o lejos del operador, dependiendo de la dirección del movimiento de la rueda en el punto

de atrapamiento. Las ruedas abrasivas también pueden romperse bajo estas condiciones.

El retroceso es el resultado de un mal uso de la herramienta eléctrica y/o procedimientos o condiciones de operación incorrectos y se puede evitar tomando las precauciones adecuadas que se detallan a continuación.

a) Mantenga un agarre firme con ambas manos sobre la herramienta eléctrica y coloque su cuerpo y brazo para permitirle resistir las fuerzas de retroceso. Siempre use la manija auxiliar, si está incluida, para obtener un control máximo sobre el retroceso o la reacción de torque durante el arranque. El operador puede controlar las fuerzas de reacción de torque o retroceso, si se toman las precauciones adecuadas.

b) Nunca coloque su mano cerca del accesorio giratorio. El accesorio puede retroceder sobre su mano.

c) No coloque su cuerpo en el área donde la herramienta eléctrica se moverá si ocurre retroceso. El retroceso impulsará la herramienta en la dirección opuesta al movimiento de la rueda en el punto de atrapamiento.

d) Tenga especial cuidado cuando trabaje en esquinas, bordes filosos, etc. Evite hacer rebotar y atorar el accesorio. Las esquinas, bordes filosos o rebote tienen la tendencia de atorar el accesorio giratorio y causar pérdida de control o retroceso.

e) No sujete una cadena de sierra, cuchilla de tallado de madera, rueda de diamante segmentada con un espacio periférico mayor a 10 mm o cuchilla de sierra dentada. Tales cuchillas crean retrocesos frecuentes y pérdida de control.

Advertencias de seguridad específicas para operaciones de esmerilado y corte

a) Utilice sólo los tipos de ruedas especificados para su herramienta eléctrica y la protección específica diseñada para la rueda seleccionada. Las ruedas que no estén diseñadas para la herramienta eléctrica no se pueden proteger adecuadamente y no son seguras.

b) La superficie de pulido de las ruedas deprimidas en el centro debe montarse debajo del plano del borde de la protección. Una rueda instalada incorrectamente que sobresalga a través del plano del labio de protección no se puede proteger adecuadamente.

c) La protección debe estar firmemente sujeta a la herramienta eléctrica y colocada para máxima seguridad, de modo que la menor cantidad de la rueda quede expuesta hacia el operador. La protección ayuda a proteger al operador contra fragmentos rotos de la rueda, contacto accidental con la rueda y chispas que podrían encender la ropa.

d) Las ruedas se deben usar sólo para las aplicaciones especificadas. Por ejemplo: no pula con el lado de la rueda de corte. Las ruedas de corte abrasivas están diseñadas para pulido periférico, las fuerzas laterales aplicadas a estas ruedas pueden causar que se astilen.

e) Siempre use bridas de rueda sin daños que sean del tamaño y forma correctos para su rueda seleccionada. Las bridas de rueda adecuadas soportan la rueda reduciendo así la posibilidad de ruptura de la rueda. Las bridas para las ruedas de corte pueden ser diferentes de las bridas de las ruedas abrasivas.

f) No utilice ruedas desgastadas de herramientas eléctricas más grandes. Una rueda diseñada para herramientas eléctricas más grandes no es adecuada para

la velocidad más alta de una herramienta más pequeña y puede estallar.

g) **Cuando use ruedas de doble propósito, use siempre la protección correcta para la aplicación que se está realizando.** Si no se utiliza la protección correcta, es posible que no se proporcione el nivel deseado de protección, lo que podría provocar lesiones graves.

Advertencias de seguridad adicionales específicas para Operaciones de corte

a) **No "ataque" la rueda de corte o aplique una presión excesiva. No intente hacer una profundidad de corte excesiva.** El exceso de esfuerzo de la rueda aumenta la carga y la susceptibilidad a la torsión o adhesión de la rueda en el corte y la posibilidad de retroceso o rotura de la rueda.

b) **No coloque su cuerpo en línea con y detrás de la rueda giratoria.** Cuando la rueda, en el punto de operación, se aleja de su cuerpo, el posible retroceso puede impulsar la rueda giratoria y la herramienta eléctrica directamente hacia usted.

c) **Cuando la rueda está adherida o al interrumpir un corte por cualquier motivo, apague la herramienta eléctrica y sosténgala inmóvil hasta que la rueda se detenga por completo. Nunca intente retirar la rueda de corte del corte mientras la rueda está en movimiento, de lo contrario, podría producirse un retroceso.** Investigue y tome medidas correctivas para eliminar la causa de la adhesión de la rueda.

d) **No reinicie la operación de corte en la pieza de trabajo. Deje que la rueda alcance la velocidad máxima y vuelva a ingresar cuidadosamente al corte.** La rueda se puede adherir, subir o retroceder si la herramienta eléctrica se reinicia dentro de la pieza de trabajo.

e) **Apoye los paneles o cualquier pieza de trabajo de gran tamaño para minimizar el riesgo de atrapamiento y retrocesos.** Las piezas grandes tienden a hundirse por su propio peso. Los soportes deben colocarse debajo de la pieza de trabajo cerca de la línea de corte y cerca del borde de la pieza de trabajo en ambos lados de la rueda.

f) **Tenga mucho cuidado al hacer un "corte de bolsillo" en paredes existentes u otras áreas ciegas.** Ruedas que sobresales puede cortar tuberías de gas o agua, cableado eléctrico u objetos que pueden causar retroceso.

g) **No intente hacer un corte curvo.** Sobrecargar la rueda aumenta la carga y la susceptibilidad a torcer o trabar la rueda en el corte y la posibilidad de contragolpe o rotura de la rueda, lo que puede provocar lesiones graves, que puede conducir a lesiones serias.

Advertencias de seguridad específicas para operaciones de lijado

a) **Utilice papel de disco de lijado del tamaño adecuado. Siga las recomendaciones del fabricante, al seleccionar el papel de lija.** Papel de lija más grande que se extiende demasiado de la almohadilla de lijar presenta un peligro de laceración y puede causar enganches, desgarros del disco o retroceso.

Advertencias de seguridad específicas para operaciones de cepillado de alambre

a) **Tenga en cuenta que el cepillo lanza las cerdas de alambre incluso durante el funcionamiento normal. No presione demasiado los alambres aplicando una carga**

excesiva al cepillo. Las cerdas de alambre pueden penetrar fácilmente la ropa liviana y/o la piel.

b) **Si se especifica el uso de una protección para el cepillado de alambre, no permita ninguna interferencia de la rueda de alambre o el cepillo con la protección.** La rueda de alambre o el cepillo pueden expandirse en diámetro debido a la carga de trabajo y las fuerzas centrifugas.

Información de seguridad adicional

▲ **ADVERTENCIA:** Nunca modifique la herramienta eléctrica o ninguna parte de ella. Podría resultar en daño o lesiones personales.

▲ **ADVERTENCIA: SIEMPRE use gafas de seguridad.** Las gafas de uso diario NO son gafas de seguridad. También use una careta o máscara de polvo si la operación de corte produce polvo. SIEMPRE USE EQUIPO DE SEGURIDAD CERTIFICADO:

- Protección para los ojos ANSI Z87.1 (CAN/CSA Z94.3),
- Protección auditiva ANSI S12.6 (S3.19),
- Protección respiratoria NIOSH/OSHA/MSHA.

▲ **ADVERTENCIA:** Algún polvo creado por lijado, aserrado, pulido, perforación eléctricos y otras actividades de construcción contienen químicos conocidos por el Estado de California como causantes de cáncer, defectos de nacimiento u otros daños reproductivos. Algunos ejemplos de estos químicos son:

- plomo a partir de pinturas a base de plomo,
- sílice cristalino de ladrillos y cemento y otros productos de mampostería, y
- arsénico y cromo a partir de madera tratada químicamente.

Su riesgo a partir de estas exposiciones varía, dependiendo de qué tan a menudo realice este tipo de trabajo. Para reducir su exposición a estos químicos: trabaje en un área bien ventilada, y trabaje con equipo de seguridad aprobado, tal como máscaras de polvo que estén diseñadas específicamente para filtrar partículas microscópicas.

▲ **ADVERTENCIA:** El uso de esta herramienta puede generar y/o dispersar polvo, que puede causar lesiones respiratorias serias y permanentes u otras lesiones. Siempre use protección respiratoria aprobada por NIOSH/OSHA apropiada para la exposición de polvo. Dirija las partículas lejos de la cara y el cuerpo.

▲ **ADVERTENCIA: Siempre use protección auditiva personal adecuada que cumpla con ANSI S12.6 (S3.19) durante el uso.** Bajo algunas condiciones y duración de uso, el ruido de este producto puede contribuir con la pérdida auditiva.

- **Use ropa de protección y lave las áreas expuestas con agua y jabón.** Permitir que el polvo entre en su boca, ojos, o que quede sobre la piel puede promover la absorción de químicos peligrosos. Dirija las partículas lejos de la cara y el cuerpo.
- **Use la aspiradora de extracción de polvo adecuada para retirar la mayoría de polvo estático y transportado por aire.** La falla en retirar el polvo estático y transportado por aire podría contaminar el ambiente de trabajo y presentar un riesgo de salud mayor al operador y personas en las cercanías.
- **Use abrazaderas u otras maneras prácticas para asegurar y soportar la pieza de trabajo a una plataforma estable.** Sostener el trabajo a mano o contra su cuerpo es inestable y puede guiar a la pérdida de control y lesiones.

- **Siempre use la manija auxiliar.** Apriete la manija firmemente. La manija auxiliar siempre se debe usar para mantener el control de la herramienta en todo momento.
- **Para evitar que el extremo del eje entre en contacto con la parte inferior del orificio del producto abrasivo, utilice accesorios que tengan una profundidad de orificio roscado de por lo menos 21 mm.** Si no utiliza un accesorio con la profundidad de rosca adecuada, podría dañar el producto abrasivo y lesionar al operador o las personas en el área.
- **El tamaño del eje de las ruedas de cubo, bridas, almohadillas de respaldo o cualquier otro accesorio debe ajustarse correctamente al husillo de la herramienta eléctrica.** Los accesorios con orificios de eje que no coincidan con el hardware de montaje de la herramienta eléctrica quedarán desequilibrados, vibrarán excesivamente y pueden provocar la pérdida de control.
- **Evite hacer rebotar la rueda o darle un tratamiento rudo.** Si esto ocurre, detenga la herramienta y revise la rueda en busca de grietas o defectos.
- Manipule y guarde siempre las ruedas con cuidado.
- **No opere esta herramienta por largos períodos de tiempo.** La vibración causada por la acción de operación de esta herramienta puede causar lesiones permanentes en los dedos, las manos y los brazos. Use guantes para proporcionar un acojinamiento adicional, tome descansos frecuentes y limite el tiempo de uso diario.
- **El operador y otros que se encuentren dentro de los 50 pies (15.2 m) del uso de este producto DEBEN usar gafas de seguridad o anteojos de seguridad con protectores laterales y un protector facial completo que cumpla con la norma ANSI Z87.1.**
- **Las ventilas de aire a menudo cubren las partes móviles y se deben evitar.** La ropa suelta, joyería, o cabello largo podrían quedar atrapados en las partes móviles.

a) **El montaje con rosca de los accesorios debe coincidir con la rosca del husillo de la esmeriladora. Para los accesorios montados con bridas, el orificio del eje del accesorio debe ajustarse al diámetro de ubicación de la brida.** Los accesorios que no coincidan con el hardware de montaje de la herramienta eléctrica quedarán desequilibrados, vibrarán excesivamente y pueden provocar la pérdida de control.

- **No use discos Tipo 11 (copa cónica) en esta herramienta.** Usar accesorios inadecuados puede resultar en lesiones.
- **Cuando arranque la herramienta con una rueda instalada nueva o de reemplazo, o un cepillo de alambre nuevo o de reemplazo, sostenga la herramienta en una área bien protegida y déjela operar por un minuto.** Si la rueda tiene una grieta o defecto no detectados, debería romperse en menos de un minuto. Si el cepillo de alambre tiene alambres sueltos, se detectarán. Nunca arranque la herramienta con una persona al frente de la rueda. Esto incluye al operador.
- **No se recomienda el uso de accesorios no especificados en este manual y puede ser peligroso.** El uso de reforzadores de energía que harían que la herramienta se accionara a velocidades superiores a su velocidad nominal constituye un mal uso.

▲ ATENCIÓN: Cuando no esté en uso, coloque la herramienta en su lado sobre una superficie estable donde no cause un peligro de tropiezo o caída. Algunas

herramientas con paquetes de batería grandes pueden quedar verticales sobre el paquete de batería pero se pueden voltear fácilmente.

La etiqueta en su herramienta puede incluir los siguientes símbolos. Los símbolos y sus definiciones son los siguientes:

V.....volts	n ₀velocidad sin carga
Hz.....hertz	n.....velocidad nominal
min.....minutos	PSI.....libras por pulgada cuadrada
— o CD.....corriente directa	⊕.....terminal de tierra
⊕.....Construcción Clase I (conectada a tierra)	⚠.....símbolo de alerta de seguridad
.../min.....por minuto	⚠.....radiación visible – no vea directamente la luz
BPM.....golpes por minuto	☁.....use protección respiratoria
IPM.....impactos por minuto	☁.....use protección para los ojos
OPM.....oscilaciones por minuto	👂.....use protección auditiva
RPM.....revoluciones por minuto	📖.....lea toda la documentación
sfp/m.....pies de superficie por minuto	☔.....no exponga a la lluvia
SPM.....carreras por minuto	👐.....siempre opere con las dos manos
A.....ampéres	🚫.....no use la protección para operaciones de corte
W.....watts	🔋.....Batería de celda de moneda
Wh.....Watt Horas	
Ah.....amperios hora	
~ o CA.....corriente alterna	
⏏ o CA/CD.....corriente alterna o directa	
⊞.....Construcción Clase II (aislamiento doble)	

Características

E-Switch Protection™

Los interruptores ON/OFF (encendido/apagado) tienen una función de liberación sin voltaje. En caso de un apagado inesperado o cuando se inserta una batería, será necesario soltar los interruptores y realizar la secuencia de arranque para reiniciar la herramienta.

E-Clutch™

Esta unidad está equipada con un E-Clutch™ (Embrague electrónico), que en el caso de un evento de carga alta, la unidad se apagará para reducir la torsión de reacción al usuario. El interruptor se necesita activar (encender y apagar) para reiniciar la herramienta.

Kickback Brake™

Cuando se detecte un evento de atrapamiento, ahogamiento, o atasco el freno electrónico se activa con la fuerza máxima para detener rápidamente la rueda, reducir el movimiento de la esmeriladora, y apagarla. El interruptor se necesita activar (encender y apagar) para reiniciar la herramienta.

Protección de sobrecarga Power-Off™

El suministro de energía al motor se reducirá en caso de sobrecarga del motor. La herramienta se apagará con sobrecarga continua del motor. El interruptor se necesita activar (encender y apagar) para reiniciar la herramienta. La herramienta se apagará cada vez que la carga de

corriente alcance el valor de corriente de sobrecarga (punto de quemado de motor). Si ocurren paros continuos de sobrecarga, aplique menos fuerza/peso sobre la herramienta hasta que funcione sin activar la sobrecarga.

Arranque Suave Electrónico

Esta característica limita la velocidad de arranque inicial, permitiendo que la herramienta llegue a la velocidad completa después de un periodo de 1 segundo.

ENSAMBLE Y AJUSTES

▲ ADVERTENCIA: Para reducir el riesgo de lesiones personales serias, apague la unidad y retire el paquete de batería antes de realizar cualquier ajuste o retirar/instalar conexiones o accesorios. Un arranque accidental puede causar lesiones.

Conexión de manija lateral (Fig. B)

▲ ADVERTENCIA: Esta manija SE DEBE UTILIZAR EN TODO MOMENTO para mantener el control completo de la herramienta. Siempre asegúrese que la manija esté apretada.

Atornille la manija lateral **6** firmemente en uno de los orificios en cualquier lado de la caja de engranes. La manija lateral siempre se debe usar para mantener el control de la herramienta en todo momento.

Instalación de protección con clip (Fig. A, C1, C2)

La protección con clip convierte una protección tipo B en una protección tipo A.

1. Coloque la protección con clip en la protección tipo B de modo que el gancho **13** en el extremo de la protección con clip quede alineada con el borde **14** de la protección tipo B.
2. Presione hacia abajo la palanca de la protección con clip **15** hasta que el botón de bloqueo **16** se conecte con el gancho de bloqueo **17**. La protección con clip ahora está bloqueada en su lugar.
3. Para quitar la protección con clip, presione el botón de bloqueo **16** hacia la palanca de la protección con clip y la palanca con clip se soltará. Ahora se puede levantar la palanca con clip y retirar la protección con clip de la protección tipo B.

Protecciones

▲ ATENCIÓN: Las protecciones deben usarse con todas las ruedas de pulido, ruedas de corte, discos de aleta de lijado, cepillos de alambre, y ruedas de alambre. La herramienta se puede usar sin protección sólo cuando se lije con discos de lijado convencionales. Consulte la **Tabla de accesorios** para ver las protecciones provistas con la unidad. Algunas aplicaciones pueden requerir adquirir la protección correcta a partir de su distribuidor o centro de servicio autorizado local.

NOTA: El pulido y corte de borde se puede realizar con ruedas Tipo 27 diseñadas y especificadas para este propósito; las ruedas de 1/4" (6.35 mm) de espesor están diseñadas para pulido de superficie mientras que las ruedas Tipo 27 más delgadas se necesitan revisar respecto a la etiqueta del fabricante para ver si se pueden usar para pulido de superficie o sólo pulido/corte de borde. Una protección Tipo A/Tipo B con clip se debe usar para cualquier rueda donde se prohíba el esmerilado de superficie. El corte también se puede realizar utilizando una rueda Tipo 1/41 y una protección Tipo A/Tipo B con clip.

NOTA: Consulte la **Tabla de accesorios** para seleccionar la combinación de protección/accesorio adecuada.

Montaje y desinstalación de protección (Fig. D)

Opciones de ajuste

Para el ajuste de la protección, la palanca de liberación de la protección **8** se conecta en uno de los orificios de alineación **12** en el collar de la protección utilizando una función de triquetre. Su esmeriladora ofrece dos opciones para este ajuste.

Montaje de protección

▲ ATENCIÓN: Antes de montar la protección, asegúrese que el tornillo, palanca, y resorte estén instalados correctamente antes de colocar la protección.

1. Con el eje orientado hacia el operador, presione y sostenga la palanca de liberación de la protección **8**.
2. Alinee las orejas **19** en la protección con las ranuras **20** en la caja de engranes.
3. Empuje la protección hacia abajo hasta que las orejas de protección se conecten y gírelas en la ranura del cubo de la caja de engranes. Libere la palanca de liberación de la protección.
4. Para colocar la protección:

NOTA: El cuerpo de la protección se debe colocar entre el husillo y el operador para proporcionar protección máxima al operador. La palanca de liberación de la protección debe conectarse en uno de los orificios de alineación **12** en el collar de protección. Esto asegura que la protección esté firme.

5. Para quitar la protección, siga los pasos 1–3 de estas instrucciones en sentido inverso.

Bridas y ruedas

▲ ADVERTENCIA: Para reducir el riesgo de lesiones personales serias, apague la unidad y retire el paquete de batería antes de realizar cualquier ajuste o retirar/instalar conexiones o accesorios. Un arranque accidental puede causar lesiones.

▲ ADVERTENCIA: Cuando utilice ruedas segmentadas de diamante, utilice únicamente ruedas con un ángulo de inclinación negativo y un espacio periférico no superior a 10 mm.

Montaje de ruedas sin cubo (Fig. A, E)

▲ ADVERTENCIA: La falla en asentar adecuadamente las bridas y/o la rueda podría resultar en lesiones serias (o daño a la herramienta o la rueda).

▲ ATENCIÓN: Las bridas incluidas se deben usar con las ruedas de pulido de centro rebajado Tipo 27, ruedas de corte de centro rebajado Tipo 27/42 y ruedas de corte abrasivo Tipo 1/41. Consulte **DCG407, DCG408 Tabla de accesorios de protección** para información adicional.

▲ ADVERTENCIA: Se requiere una protección de rueda de corte de dos lados cerrada o protección Tipo B con protección Tipo B con clip cuando se usen ruedas de corte abrasivas o ruedas de corte recubiertas de diamante.

▲ ADVERTENCIA: El uso de una brida o protección dañada o la falla en usar una brida y protección adecuadas puede resultar en lesiones debidas a la ruptura de la rueda y/o contacto con la misma. Consulte **DCG407, DCG408 Tabla de accesorios de protección** para información adicional. Se deben usar ruedas de pulido Tipo 27 de centro hundido con las bridas incluidas.

1. Coloque la herramienta sobre una mesa, con la protección hacia arriba.
2. Instale la brida de respaldo **20** sobre el husillo **5** con el centro levantado (piloto) viendo hacia la rueda. Presione la brida de respaldo en su lugar.
3. Coloque la rueda **21** contra la brida de respaldo, centrando la rueda sobre el centro levantado (piloto) de la brida de respaldo.
4. Mientras presiona el botón de bloqueo de husillo y con las depresiones hexagonales viendo al lado opuesto de la rueda, enrosque la brida de bloqueo **22** en el husillo.
5. Mientras presiona el botón de bloqueo del husillo, apriete la brida de bloqueo **22** a mano o con la llave incluida. (Sólo use una brida de bloqueo si está en condiciones perfectas.) Consulte **DCG407, DCG408 Tabla de accesorios de protección** respecto a detalles de la brida.
6. Para retirar la rueda, invierta el procedimiento anterior.

Montaje de Almohadillas de Respaldo de Lijado (Fig. A, F)

- ▲ **ADVERTENCIA:** *Sólo use almohadillas de respaldo que tengan la clasificación por lo menos igual a la velocidad nominal marcada en la herramienta.*
 - ▲ **ADVERTENCIA:** *La falla en ensamblar adecuadamente la tuerca de sujeción y/o la almohadilla podría resultar en lesiones serias (o daño a la herramienta o la rueda).*
 - ▲ **ADVERTENCIA:** *Se debe volver a instalar la protección adecuada para aplicaciones de rueda de pulido, rueda de corte, disco de aleta de lijado, cepillo de alambre y rueda de alambre, después que se completan las aplicaciones de lijado.*
- NOTA:** No se requiere el uso de una protección con discos de lijado que usan almohadillas de respaldo, a menudo llamadas discos de resina de fibra. Ya que no se requiere una protección para estos accesorios, la protección puede o no ajustarse correctamente si se usa.

1. Coloque o enrosque adecuadamente la almohadilla de respaldo **23** sobre el husillo.
2. Coloque un disco de lijado **25** sobre la almohadilla de respaldo.
3. Mientras presiona el botón de bloqueo del husillo **4**, enrosque la tuerca de la abrazadera de lijado **25** en el husillo, pilotando el cubo elevado en la tuerca de sujeción en el centro del disco de lijado y la almohadilla de respaldo.
4. Apriete la tuerca de sujeción con la mano. Luego presione el botón de bloqueo del husillo mientras gira el disco de lijado hasta que el disco de lijado y la tuerca de sujeción estén ajustados.
5. Para retirar la rueda, sujete y gire la almohadilla de respaldo y la almohadilla de lijado mientras presiona el botón de bloqueo del eje.

Montaje y Retiro de los Discos con Cubo (Fig. G)

Los discos con cubo se instalan directamente en el eje. La rosca del accesorio debe coincidir con la rosca del eje.

1. Saque la brida de respaldo jalándola de la herramienta.
2. Enrosque el disco en el eje **5** a mano.
3. Presione el botón de seguro del eje **4** y utilice una llave para apretar el cubo del disco.
4. Invierta el procedimiento anterior para retirar el disco.

AVISO: *El no colocar bien el disco antes de encender la herramienta puede ocasionar daño a ésta o al disco.*

Montaje de Ruedas de alambre (Fig. A, G)

▲ **ADVERTENCIA:** *La falla en asentar adecuadamente el rueda podría resultar en lesiones serias (o daño a la herramienta o la rueda).*

▲ **ATENCIÓN:** *Para reducir el riesgo de lesiones personales, use guantes de trabajo cuando maneje cepillos de ruedas. Pueden volverse afilados.*

▲ **ATENCIÓN:** *Para reducir el riesgo de daños a la herramienta, la rueda o el cepillo no deben tocar la protección cuando estén montados o mientras esté en uso. Se podrían producir daños no detectables en el accesorio, haciendo que los alambres se fragmenten de la rueda del accesorio.*

Las ruedas de alambre se instalan directamente en el husillo ruedas provistas con un 5/8"-11 cubo roscado. Estos accesorios están disponibles a un costo adicional en su distribuidor o centro de servicio autorizado local.

1. Coloque la herramienta sobre una mesa, con la protección hacia arriba.
2. Enrosque a mano la rueda en el husillo **5**.
3. Presione el botón de bloqueo de husillo **4** y use una llave en el cubo de la rueda de alambre.
4. Para retirar la rueda, invierta el procedimiento anterior.

AVISO: *Para reducir el riesgo de dañar la herramienta, coloque correctamente el cubo de la rueda antes de encenderla.*

Antes de la Operación

- Instale la protección y el disco o rueda apropiados. No utilice discos o ruedas excesivamente desgastados.
- Asegúrese que el respaldo y la brida de bloqueo roscada estén montados correctamente. Siga las instrucciones provistas en **DCG407, DCG408 Tabla de accesorios de protección**.
- Asegúrese que el disco o la rueda gire en la dirección de las flechas del accesorio y la herramienta.
- No use un accesorio dañado. Antes de cada uso, revise el accesorio tales como las ruedas abrasivas respecto a astillas y grietas, la almohadilla de respaldo respecto a grietas, ruptura o desgaste excesivo o el cepillo de alambre respecto a alambres sueltos o agrietados. Si se deja caer la herramienta eléctrica o el accesorio, revise respecto a daño o instale un accesorio que no esté dañado. Después de revisar e instalar un accesorio, colóquese usted y a los espectadores lejos del plano del accesorio giratorio y opere la herramienta eléctrica en la velocidad sin carga máxima durante un minuto. Los accesorios dañados por lo general se romperán durante este tiempo de prueba.

OPERACIÓN

▲ **ADVERTENCIA:** *Para reducir el riesgo de lesiones personales serias, apague la unidad y retire el paquete de batería antes de realizar cualquier ajuste o retirar/instalar conexiones o accesorios. Un arranque accidental puede causar lesiones.*

Instalación y desinstalación de paquete de batería (Fig. H)

▲ **ADVERTENCIA:** *Asegúrese que la herramienta/aparato esté en la posición apagada antes de insertar el paquete de la batería.*

NOTA: Para mejores resultados, asegúrese que su paquete de batería esté completamente cargado.

1. Para instalar el paquete de batería 9 en la manija de la herramienta, alinee el paquete de la batería con los rieles dentro de la manija de la herramienta y deslícelo en la manija hasta que el paquete de batería esté asentado firmemente en la herramienta y asegúrese que no se desconecte.
2. Para retirar el paquete de batería de la herramienta, presione el botón de liberación del paquete de batería 10 y jale firmemente el paquete de batería fuera de la manija de la herramienta. Insértelo en el cargador.

Colocación Adecuada de Manos (Fig. I)

▲ ADVERTENCIA: Para reducir el riesgo de lesiones personales serias, **SIEMPRE** use la posición de las manos adecuada como se muestra.

▲ ADVERTENCIA: Para reducir el riesgo de lesiones personales serias, **SIEMPRE** sostenga firmemente en anticipación de una reacción repentina.

La posición de manos adecuada requiere una mano en la manija principal 11 y la otra mano sobre la manija auxiliar 6, como se muestra en la Fig. I.

Interruptores

▲ ATENCIÓN: Sostenga firmemente la manija auxiliar y el cuerpo de la herramienta para mantener el control de la herramienta durante el arranque y durante el uso y hasta que la rueda o el accesorio deje de girar. Asegúrese que la rueda se haya detenido por completo antes de bajar la herramienta.

NOTA: Para reducir el movimiento inesperado de la herramienta, no encienda o apague la herramienta mientras esté bajo condiciones de carga. Permita que la pulidora opere a velocidad completa antes de tocar la superficie de trabajo. Levante la herramienta de la superficie antes de apagar la herramienta. Permita que la herramienta deje de girar antes de soltarla.

Interruptor de deslizamiento (Fig. A)

DCG407

▲ ADVERTENCIA: Antes de conectar la herramienta al suministro de energía, asegúrese que el interruptor de deslizamiento esté en la posición apagada. Asegúrese que el interruptor de deslizamiento esté en la posición de apagado como se describe anteriormente después de cualquier interrupción en el suministro de energía a la herramienta, como al cambiar baterías, la activación de un interruptor de falla a tierra, el disparo de un interruptor de circuito, la desconexión accidental o un corte de energía. Si el interruptor deslizante está bloqueado en encendido cuando se conecta la energía, la herramienta arrancará inesperadamente.

Para arrancar la herramienta, deslice el interruptor de deslizamiento ON/OFF 1 hacia el frente de la herramienta. Para detener la herramienta, libere el interruptor deslizante ON/OFF.

Para una operación continua, deslice el interruptor hacia la parte delantera de la herramienta y presione la parte delantera del interruptor hacia adentro. Para detener la herramienta mientras opera en modo continuo, presione la parte trasera del interruptor deslizante y libérela.

Interruptor de paleta (Fig. A)

DCG408

▲ ADVERTENCIA: Antes de conectar la herramienta al suministro de energía, asegúrese que el interruptor de paleta esté en la posición apagada. Asegúrese que el interruptor de paleta esté en la posición de apagado como se describe anteriormente después de cualquier interrupción en el suministro de energía a la herramienta, como al cambiar baterías, la activación de un interruptor de falla a tierra, el disparo de un interruptor de circuito, la desconexión accidental o un corte de energía. Si el interruptor de paleta está bloqueado en encendido cuando se conecta la energía, la herramienta arrancará inesperadamente.

1. Para encender la herramienta, empuje la palanca de bloqueo de apagado 3 hacia la parte trasera de la herramienta, y después presione el interruptor de paleta 2. La herramienta funcionará mientras el interruptor esté presionado.
2. Apague la herramienta liberando el interruptor de paleta.

Bloqueo del Husillo (Fig. A)

El botón de bloqueo del husillo 4 se proporciona para prevenir que el husillo gire cuando instale o retire las ruedas. Opere el bloqueo de husillo sólo cuando la herramienta esté apagada, la batería esté retirada y el husillo se haya detenido por completo.

AVISO: Para reducir el riesgo de daños en la herramienta, no active el bloqueo del husillo mientras la herramienta está funcionando. Se dañará la herramienta y el accesorio conectado puede salirse y causar lesiones.

Para activar el seguro, presione el botón de bloqueo del husillo y gire el husillo hasta que no pueda girar más el husillo.

Esmerilado, Lijado y Cepillado Metálico de Superficies (Fig. J)

▲ ATENCIÓN: Utilice siempre un protector correcto según las instrucciones de este manual.

Para realizar un trabajo en la superficie de una pieza de trabajo:

1. Permita que la herramienta alcance la velocidad máxima antes de ponerla en contacto con la superficie de trabajo.
2. Aplique una presión mínima a la superficie de trabajo, permitiendo a la herramienta operar a alta velocidad. La velocidad de eliminación de material es mayor cuando la herramienta opera a velocidad alta.
3. Mantenga un ángulo apropiado entre la herramienta y la superficie de trabajo. Consulte la tabla de acuerdo con la función particular.

Función	Ángulo \angle
Esmerilado	20°-30°
Lijado con disco de aletas	5°-10°
Lijado con almohadilla de respaldo	5°-15°
Cepillado metálico	5°-10°

4. Mantenga el contacto entre el borde del disco y la superficie de trabajo.
 - Para operaciones de esmerilado, lijado con discos de aletas o cepillado metálico desplace la herramienta continuamente con un movimiento hacia adelante y hacia atrás para evitar crear surcos en la superficie de trabajo.

- Si lija con una almohadilla de respaldo, desplace la herramienta constantemente en línea recta para no quemar ni rayar la superficie de trabajo.

NOTA: Permitir que la herramienta se apoye en la superficie de trabajo sin desplazarla dañará la pieza de trabajo.

5. Quite la herramienta de la superficie de trabajo antes de apagarla. Permita que la herramienta deje de girar antes de soltarla.

▲ ATENCIÓN: *Tenga mucho cuidado cuando trabaje sobre un borde, pues puede producirse un movimiento brusco y repentino de la esmeriladora.*

Precauciones que Deben Tomarse al Trabajar en una Pieza de Trabajo Pintada

1. NO SE RECOMIENDA el lijado o cepillado metálico de pinturas a base de plomo debido a la dificultad de controlar el polvo contaminado. La intoxicación por plomo es más peligrosa para niños y mujeres embarazadas.

2. Ya que es difícil identificar si una pintura contiene plomo o no, sin antes hacer un análisis químico, recomendamos que se tomen las siguientes precauciones al lijar cualquier pintura:

Seguridad Personal

1. Ningún niño o mujer embarazada debería entrar al área de trabajo donde se esté lijando o cepillando con escobilla metálica pintura hasta que se haya terminado de limpiar el área.

2. Todas las personas que entren en el área de trabajo deben usar una mascarilla antipolvo o un respirador. El filtro debería ser reemplazado a diario o cuando el usuario tenga dificultades para respirar.

NOTA: Sólo se deberían utilizar aquellas mascarillas antipolvo adecuadas para trabajar con polvo y gases de pinturas con plomo. Las mascarillas regulares para pintar no ofrecen esta protección. Visite su distribuidor de ferretería local para obtener la máscara N.I.O.S.H. correcta.

3. No se debe COMER, BEBER ni FUMAR en el área de trabajo para evitar ingerir partículas de pintura contaminada. Los trabajadores se deben lavar y limpiar ANTES de comer, beber o fumar. No deben dejarse artículos de comida, bebida o tabaco en el área de trabajo donde se podría depositar polvo sobre ellos.

Seguridad Ambiental

1. La pintura debe ser retirada de manera que se reduzca al mínimo la cantidad de polvo generado.

2. Las áreas donde se realiza remoción de pintura deben estar selladas con láminas de plástico de 4 mils de grosor.

3. El lijado debería hacerse de modo que se reduzcan los vestigios de polvo de pintura fuera del área de trabajo.

Limpieza y Eliminación de Residuos

1. Todas las superficies del área de trabajo deben ser limpiadas en profundidad y repasadas con aspiradora todos los días mientras dure el proyecto de lijado. Las bolsas de filtro de la aspiradora deben cambiarse con frecuencia.

2. Las láminas de protección de plástico deben recogerse y eliminarse junto con el polvo y cualquier otro residuo. Deberán colocarse en un recipiente para desechos sellado y eliminarse de acuerdo con los procedimientos normales de eliminación de la basura.

Durante la limpieza, se impedirá a niños y mujeres embarazadas el acceso al área de trabajo.

3. Todos los juguetes, muebles lavables y utensilios usados por niños deberán lavarse a fondo antes de volverlos a usar.

Rectificado y corte de bordes (Fig. K)

▲ ADVERTENCIA: *No use ruedas de pulido/corte de bordes para aplicaciones de rectificado de superficies, ya que estas ruedas no están diseñadas para presiones laterales que se encuentran con el rectificado de superficies. Puede resultar en ruptura de la rueda y lesiones.*

▲ ATENCIÓN: *Las ruedas utilizadas para el pulido o corte de borde pueden romperse o retroceder si se doblan o giran mientras la herramienta se utiliza. En todas las operaciones de pulido/corte de bordes, el lado abierto de la protección debe colocarse lejos del operador.*

AVISO: *El lijado/corte de bordes con una rueda tipo 27 debe limitarse a cortes superficiales y muescas —menor de 1/2" (13 mm) de profundidad cuando la rueda es nueva. Reduzca la profundidad de corte/muesca igual a la reducción del radio de la rueda a medida que se desgasta. Consulte la **Tabla de accesorios** para información adicional. El pulido/corte de bordes con una rueda Tipo 41 requiere el uso de una protección Tipo 1/41/Tipo A/Tipo B con clip.*

1. Permita que la herramienta alcance su velocidad máxima antes de tocar la herramienta con la superficie de trabajo.

2. Aplique una presión mínima sobre la superficie de trabajo, permitiendo que la herramienta funcione a alta velocidad. La velocidad de pulido/corte es mayor cuando la herramienta funciona a alta velocidad.

3. Colóquese de manera que la parte inferior abierta de la rueda quede hacia usted.

4. Una vez que comience un corte y se establezca una ranura en la pieza de trabajo, no cambie el ángulo de corte. Cambiar el ángulo hará que la rueda se doble y puede romperla. Las ruedas abrasivas de borde no están diseñadas para soportar presiones laterales causadas por la flexión.

5. Retire la herramienta de la superficie de trabajo antes de apagar la herramienta. Deje que la herramienta deje de girar antes de soltarla.

MANTENIMIENTO

▲ ADVERTENCIA: *Para reducir el riesgo de lesiones personales serias, apague la unidad y retire el paquete de batería antes de realizar cualquier ajuste o retirar/instalar conexiones o accesorios o antes de la limpieza.*

Un arranque accidental puede causar lesiones.

Su herramienta DEWALT ha sido diseñada para funcionar durante un largo período de tiempo con un mínimo de mantenimiento. La operación satisfactoria continua depende del cuidado adecuado de la herramienta y la limpieza regular.

Limpieza

▲ ADVERTENCIA: *Sople la suciedad y el polvo de todos los conductos de ventilación con aire seco, al menos una vez por semana. Para reducir el riesgo de lesiones, utilice siempre protección para los ojos aprobada ANSI Z87.1 al realizar esta tarea.*

▲ ADVERTENCIA: *Nunca utilice solventes ni otros químicos abrasivos para limpiar las piezas no metálicas de la herramienta. Estos productos químicos pueden debilitar los materiales plásticos utilizados en estas piezas. Utilice un paño humedecido sólo con agua y jabón neutro. Nunca permita que penetre líquido dentro de la herramienta ni sumerja ninguna de las piezas en un líquido.*

Accesorios

▲ ADVERTENCIA: *Ya que los accesorios, diferentes a los ofrecidos por DeWALT no se han probado con este producto, el uso de tales accesorios con esta herramienta podría ser peligroso. Para reducir el riesgo de lesiones, sólo se deben usar accesorios recomendados por DeWALT con este producto.*

▲ ADVERTENCIA: *No use una rueda abrasiva adherida que haya pasado su fecha de caducidad (EXP) como se indica cerca del centro de la rueda, si se proporciona. Las ruedas caducadas tienen más probabilidades de reventar y causar lesiones graves. Almacene las ruedas abrasivas adheridas en un lugar seco sin temperaturas extremas ni humedad. Destruya las ruedas caducadas o dañadas para que no puedan usarse. Los accesorios recomendados para uso con su producto están disponibles por un costo adicional a partir de su distribuidor local o centro de servicio autorizado. Si necesita asistencia para localizar cualquier accesorio, por favor póngase en contacto con DeWALT. Llame al **1-800-4-DeWALT (1-800-433-9258)** o visite nuestro sitio web: www.dewalt.com.*

La capacidad de esta herramienta es de 4,5" (115 mm) de diámetro x 1/4" (6 mm) de espesor para muelas abrasivas y 1/8" (3 mm) de espesor para muelas de corte. Es importante elegir las protecciones correctas, almohadillas de respaldo y bridas para usar con los accesorios de la esmeriladora. Consulte la **Tabla de Accesorios** sobre información para elegir los accesorios correctos.

▲ ADVERTENCIA: *Los accesorios deben tener capacidad por lo menos para la velocidad recomendada en la etiqueta de advertencia de la herramienta. Las ruedas y otros accesorios que operen sobre su velocidad nominal para el accesorio pueden ser expulsados y causar lesiones. Los accesorios roscados deben tener un cubo de por lo menos 5/8"-11. Cada accesorio sin rosca debe tener un orificio de eje de 7/8" (22 mm). De lo contrario, se puede haber diseñado para una sierra circular. Use únicamente los accesorios mostrados en la **Tabla de accesorios** de este manual. Las clasificaciones de accesorios siempre debe ser superior a la velocidad de la herramienta como se muestra en la placa de información de la herramienta.*

▲ ADVERTENCIA: *Maneje y guarde todas las ruedas abrasivas cuidadosamente para evitar daño a partir de choque térmico, calor, daño mecánico, etc. Guarde en una área protegida seca libre de alta humedad, temperaturas de congelamiento o cambios de temperatura extremos.*

Reparaciones

El cargador y las unidades de batería no pueden ser reparados. El cargador y la unidad de batería no contienen piezas reparables.

▲ ADVERTENCIA: *Para asegurar la SEGURIDAD y la CONFIABILIDAD del producto, las reparaciones, el mantenimiento y los ajustes (inclusive la inspección y el cambio de las escobillas, cuando proceda) deben ser realizados en un centro de mantenimiento en la fábrica DeWALT u en un centro de mantenimiento autorizado DeWALT. Utilice siempre piezas de repuesto idénticas.*

Para reparación y servicio de sus herramientas eléctricas, favor de dirigirse al Centro de Servicio más cercano

CULIACAN, SIN

Bldv. Emiliano Zapata 5400-1 Poniente Col. (667) 717 89 99 San Rafael

GUADALAJARA, JAL

Av. La Paz #1779 - Col. Americana Sector Juárez (33) 3825 6978

MEXICO, D.F.

Eje Central Lázaro Cárdenas No. 18 - Local D, Col. Obrera (55) 5588 9377

MERIDA, YUC

Calle 63 #459-A - Col. Centro (999) 928 5038

MONTERREY, N.L.

Av. Francisco I. Madero 831 Poniente - Col. Centro (818) 375 23 13

PUEBLA, PUE

17 Norte #205 - Col. Centro (222) 246 3714

QUERETARO, QRO

Av. San Roque 274 - Col. San Gregorio (442) 2 17 63 14

SAN LUIS POTOSI, SLP

Av. Universidad 1525 - Col. San Luis (444) 814 2383

TORREON, COAH

Bldv. Independencia, 96 Pte. - Col. Centro (871) 716 5265

VERACRUZ, VER

Prolongación Díaz Mirón #4280 - Col. Remes (229) 921 7016

VILLAHERMOSA, TAB

Constitución 516-A - Col. Centro (993) 312 5111

PARA OTRAS LOCALIDADES:

Si se encuentra en México, por favor llame al (55) 5326 7100

Si se encuentra en U.S., por favor llame al 1-800-4-DeWALT (1-800-433-9258) o visite nuestro sitio web: www.dewalt.com

Póliza de Garantía

IDENTIFICACIÓN DEL PRODUCTO:

Sello o firma del Distribuidor.

Nombre del producto: _____

Mod./Cat.: _____

Marca: _____

Núm. de serie: _____

(Datos para ser llenados por el distribuidor)

Fecha de compra y/o entrega del producto: _____

Nombre y domicilio del distribuidor donde se adquirió el producto: _____

Este producto está garantizado por un año a partir de la fecha de entrega, contra cualquier defecto en su funcionamiento, así como en materiales y mano de obra empleados para su fabricación. Nuestra garantía incluye la reparación o reposición del producto y/o componentes sin cargo alguno para el cliente, incluyendo mano de obra, así

como los gastos de transportación razonablemente erogados derivados del cumplimiento de este certificado.

Para hacer efectiva esta garantía deberá presentar su herramienta y esta póliza sellada por el establecimiento comercial donde se adquirió el producto, de no contar con ésta, bastará la factura de compra.

Excepciones

Esta garantía no será válida en los siguientes casos:

- Cuando el producto se hubiese utilizado en condiciones distintas a las normales;
- Cuando el producto no hubiese sido operado de acuerdo con el instructivo de uso que se acompaña;
- Cuando el producto hubiese sido alterado o reparado por personas distintas a las enlistadas al final de este certificado.

Anexo encontrará una relación de sucursales de servicio de fábrica, centros de servicio autorizados y franquiciados en la República Mexicana, donde podrá hacer efectiva su garantía y adquirir partes, refacciones y accesorios originales.

Solamente para propósito de México:
 Importado por: DEWALT S.A de C.V.

Antonio Dovali Jaime #70 Torre C Piso 8
 Col. Santa Fe Alvaro Obregon,
 Ciudad de Mexico, Mexico.
 C.P 01210
 TEL(52) 55 53267100
 R.F.C.BDE8106261W7

Registro en Línea

Gracias por su compra. Registre su producto ahora para:

- **SERVICIO EN GARANTÍA:** Si completa esta tarjeta, podrá obtener un servicio en garantía más eficiente, en caso de que exista un problema con su producto.
- **CONFIRMACIÓN DE PROPIEDAD:** En caso de una pérdida que cubra el seguro, como un incendio, una inundación o un robo, el registro de propiedad servirá como comprobante de compra.
- **PARA SU SEGURIDAD:** Si registra el producto, podremos comunicarnos con usted en el caso improbable que se deba enviar una notificación de seguridad conforme a la Federal Consumer Safety Act (Ley Federal de Seguridad de Productos para el Consumidor).

Registro en línea en www.dewalt.com/account-login.

Garantía limitada de tres años

Para las condiciones de garantía, visite www.dewalt.com/support/warranty.






Para solicitar una copia escrita de los términos de garantía, póngase en contacto con: Servicio al cliente en DeWALT Industrial Tool Co., 701 East Joppa Road, Towson, MD 21286 o llame al **1-800-4-DeWALT (1-800-433-9258)**.


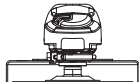
AMÉRICA LATINA: Esta garantía no aplica a productos vendidos en América Latina. Para productos vendidos en América Latina, consulte la información de garantía específica contenida en el empaque, llame a la compañía local o consulte la página de Internet respecto a la información de garantía.

REEMPLAZO GRATUITO DE ETIQUETA DE GARANTÍA:


Si sus etiquetas de advertencia se vuelven ilegibles o se pierden, llame al **1-800-4-DeWALT (1-800-433-9258)** para un reemplazo gratuito.

DCG407, DCG408 TABLA DE ACCESORIOS

Ruedas aprobadas para uso con DCG407, DCG408	
Tipo 1 / T1 Tipo 41 / T41	
Tipo 27 / T27	
Tipo 28 / T28†	
Tipo 29 / T29	
Ruedas no aprobadas para DCG407, DCG408	
Tipo 11 / T11	

Rueda de esmeriladora con cubo Tipo 27		
Protección Tipo 27/ Tipo B NA680164 (4,5")		
Rueda con cubo tipo 27		

Ruedas esmeriladoras centrales hundidas Tipo 27, 28		
Protección Tipo 27/ Tipo B NA680164 (4,5")		
Brida de respaldo N115381		
Rueda central hundida Tipo 27, 28		
Brida de bloqueo N134467		

Disco de aleta de lijado con cubo		
Protección Tipo 27/ Tipo B NA680164 (4,5")		
Disco de aleta de lijado con cubo		

Discos de aleta de lijado sin cubo		
Protección Tipo 27/ Tipo B NA680164 (4,5")		
Brida de respaldo N115381		
Disco de aleta de lijado sin cubo		
Brida de bloqueo N134467		

Ruedas de alambre con cubo		
Protección Tipo 27/ Tipo B NA680164 (4,5")		
Rueda de alambre con cubo		

Ruedas de corte Tipo 1/41		
Protección Tipo 1/41/ Tipo A N487793**		
Protección Tipo B con protección Tipo B con clip		
Brida de respaldo N115381		
Rueda de corte abrasiva Tipo 1/41		
Brida de bloqueo N134467		

Ruedas de corte de diamante		
Protección Tipo 1/41/ Tipo A N487793**		
Protección Tipo B con protección Tipo B con clip		
Brida de respaldo N115381		
Rueda de corte de diamante		
Brida de bloqueo N134467		

Discos de lijado		
Almohadilla de respaldo de hule DABP4RR58**		
Disco de lijado		
Tuerca de sujeción de lijado (Incluido con almohadilla de respaldo de hule DABP4RR58**)		

Llave de rueda con cubo	
Llave de rueda con cubo N541784**	

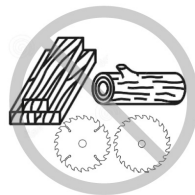
Aro de refuerzo	
Aro de refuerzo de corte de concreto DWE46125 5**	

▲ Las protecciones tipo 1/41/Tipo A o protección Tipo B con protección Tipo B con clip están diseñadas para uso con ruedas de corte Tipo 1/41 y ruedas Tipo 27 marcadas sólo para corte. Pulir con ruedas diferentes al Tipo 27 y Tipo 29 requiere diferentes protecciones de accesorios. Siempre use la menor protección adecuada posible que no haga contacto con los accesorios.

** **NOTA:** Disponible por un costo adicional en su distribuidor o centro de servicio autorizado local.

† **NOTA:** Sólo ruedas centrales hundidas Tipo 28.

▲ **PELIGRO:** No la use para cortar madera o tallar madera. No use cuchillas aserradas de ningún tipo. Puede resultar en lesiones serias.



**Compatible battery packs and chargers / Blocs-piles et chargeurs compatibles /
Baterías y cargadores compatibles**

Battery Packs Bloc-piles Baterías	DCB201, DCB203, DCB203G, DCB204, DCB204BT, DCB205, DCB205G, DCB205BT, DCB206, DCB208, DCB210, DCB230, DCB240, DCBP034, DCBP034G, DCBP320, DCBP520, DCBP520G, DCB2108, DCB606, DCB609, DCB609G, DCB612
Chargers Chargeurs Cargadores	DCB094, DCB102, DCB103, DCB104, DCB107, DCB112, DCB113, DCB115, DCB118, DCB132, DCB1102, DCB1104, DCB1106, DCB1112

▲ WARNING: Use of any other battery packs may create a risk of injury and fire.

▲ AVERTISSEMENT : utiliser d'autres blocs-piles peut créer un risque de blessure ou d'incendie.

▲ ADVERTENCIA: El uso de cualquier otro paquete de batería puede crear un riesgo de lesiones e incendio.

NOTE: DO NOT charge when the battery pack is below 40 ° F (4.5 ° C) or above 104 ° F (40 ° C). Do not store or use the tool and battery pack in locations where the temperature may reach or exceed 104 ° F (40 ° C).

REMARQUE : NE PAS charger lorsque le bloc-piles est en dessous de 4,5 ° C (40 ° F) ou au-dessus de 40 ° C (104 ° F). Ne pas entreposer ou utiliser l'outil et le bloc-piles dans des endroits où la température peut atteindre ou excéder 40 ° C (104 ° F).

NOTA: NO cargue cuando el paquete de batería esté debajo de 4,5 ° C (40 ° F), o arriba de 40 ° C (104 ° F). No almacene ni use la herramienta y el paquete de baterías en lugares donde la temperatura pueda alcanzar o exceder los 40 ° C (104 ° F).

**Maximum initial battery voltage (measured without a workload) is 20, 60 or 120 volts. Nominal voltage is 18, 54 or 108. (120V Max* is based on using 2 DeWALT 60V Max* lithium-ion batteries combined.)*

**La tension initiale maximum du bloc-piles (mesurée à vide) est de 20, 60 ou 120 volts. La tension nominale est de 18, 54 ou 108. (120V max* se base sur l'utilisation combinée de 2 blocs-piles au lithium ion DeWALT de 60V max*.)*

**El máximo voltaje inicial de la batería (medido sin carga de trabajo) es 20, 60 o 120 voltios. El voltaje nominal es de 18, 54 o 108V. (120V Máx* se basan en el uso de 2 baterías de iones de litio DeWALT de 60V Máx* combinadas.)*

DeWALT Industrial Tool Co., 701 East Joppa Road, Towson, MD 21286
Copyright © 2024

The following are trademarks for one or more DeWALT power tools: the yellow and black color scheme, the "D" shaped air intake grill, the array of pyramids on the handgrip, the kit box configuration, and the array of lozenge-shaped humps on the surface of the tool.